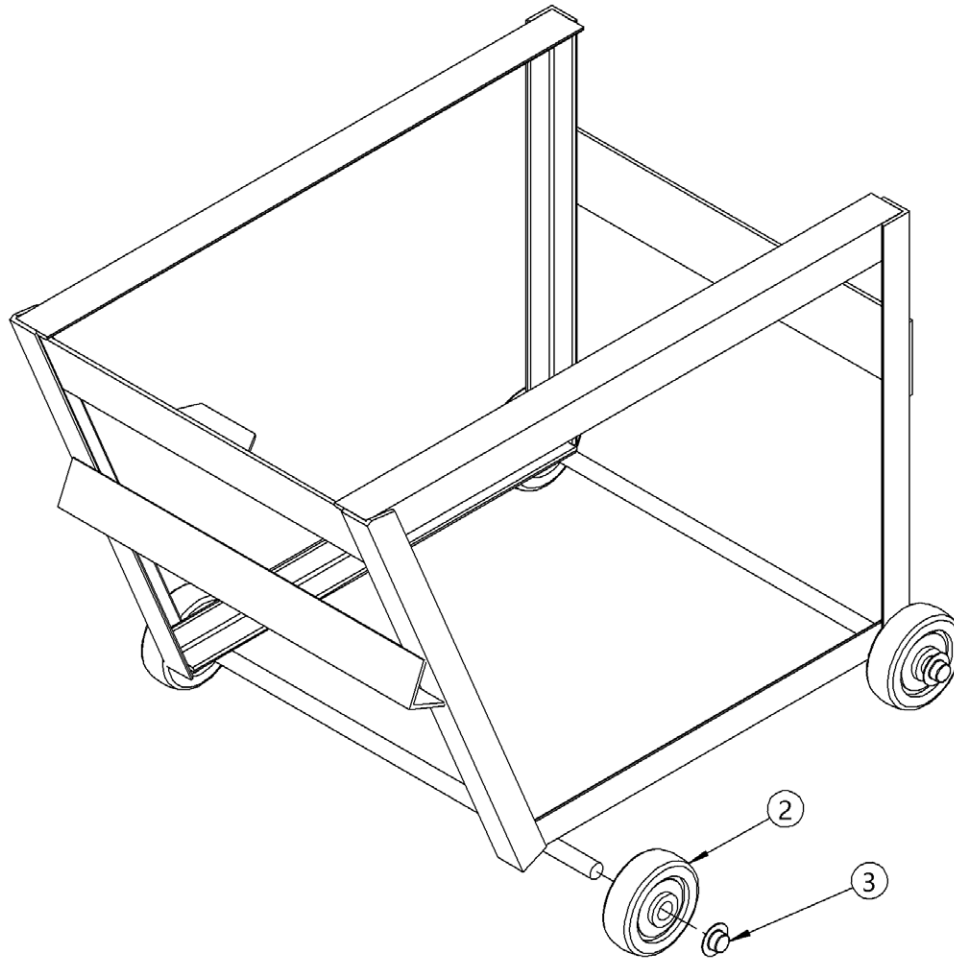


**Parts Diagram of Morse Model 46 15-Gallon Drum Cradle**



ITEM NO.	PART NUMBER	DESCRIPTION	QTY.
1	2999-P	FRAME WELD, 46	1
2	210-P	WHEEL, MORTUF 3" X 1/2"BORE 36	4
3	715-P	CAP, HUB, PUSH-ON, 1/2"	4



**WARNING:** This product can expose you to chemicals including barium sulfate, cobalt, titanium dioxide, and 2-methylimidazole, which are known to the State of California to cause cancer, and bisphenol-A, which is known to the State of California to cause birth defects or other reproductive harm.  
 For more information go to [www.P65Warnings.ca.gov](http://www.P65Warnings.ca.gov)



[morsedrum.com](http://morsedrum.com)



[service@morsedrum.com](mailto:service@morsedrum.com)



(315) 437-8475



103 Kuhn Rd.  
 Syracuse, NY 13208 U.S.A.

**CE Declaration of Conformity**

This product has been tested to the current appropriate standards  
and is in compliance with the following

-----  
**Machinery Directive:** **2006/42/EC**  
Standard: EN 60204 Safety of Machinery

-----  
**Manufacturer's Name:** **MORSE Mfg. Co., Inc.**  
Manufacturer's Address: 103 Kuhn Rd.  
Syracuse, NY 13208  
Product: Drum Cradle  
Model: Model 46  
Serial Number: 400000 and up  
-----

This Certificate of Compliance issued 2022 is valid for the test sample of the product specified above and that it conforms to the Directive(s) and Standard(s).

Signature: 

Nathan Andrews  
President  
Morse Manufacturing Company, Inc.  
103 Kuhn Rd.  
Syracuse, New York, USA 13208  
Phone: (315)-437-8475  
Fax: (315)-437-1029



[morsedrum.com](http://morsedrum.com)



[service@morsedrum.com](mailto:service@morsedrum.com)



(315) 437-8475



103 Kuhn Rd.  
Syracuse, NY, 13208 U.S.A.

MADE  
IN  
USA



Model 31  
Tipping Lever

Model 40  
Drum Cradle

### Drum Cradle Trucks

Rugged angle iron construction. 3" (7.6 cm) MORTUF polyolefin wheels. Handle 55-gallon (210 liter) steel drum.

Capacity: 700 Lb. (318 kg)

**Model 40** Drum Cradle shown with **Model 31** Tipping Lever (sold separately)

**Model 40-30** is for a 30-gallon steel drum.

### Tipping Lever

Model 31 Tipping Lever is for one-person loading of a heavy drum onto Model 40. Built with 40" (101.6 cm) steel tubing and malleable iron double hook. Shown above with Model 40.

**Model 36** easy-to-load drum cradle with a built-in retractable tipping lever for a 55-gallon (210 liter) steel drum. Heavy steel welded construction with four 3" MORTUF polyolefin wheels.



Capacity: 500 Lb. (227 kg)

**Model 36-SS** made of type 304 stainless steel with bead blast finish.

**Model 46** is specifically designed to handle a 15-gallon (57 liter) steel drum. Has four 3" (7.6 cm) polyolefin wheels. Rock-over loading eliminates manual lifting.



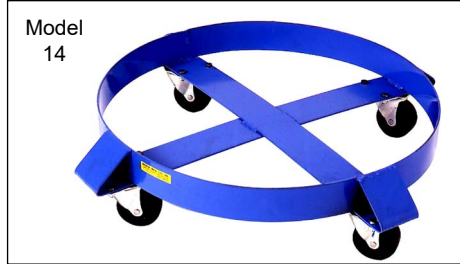
### Model 32 Drum Upender

Provides leverage to move horizontal drum to upright position

**IMPORTANT:** NOT designed to safely lower an upright



Model 14



Model 14-SS



**Round Drum Dollies** have a wide stance base with four 3" (7.6 cm) MORTUF polyolefin swivel casters for easy moving of a heavy drum. Dollies handle a steel, plastic or fiber drum.

**Model 14** 55-Gallon (210 liter) Round Drum Dolly

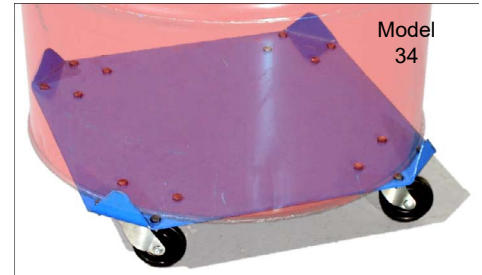
**Model 14M** Spark Resistant 55-Gallon (210 liter) Round Drum Dolly

**Model 14-30** 30-Gallon (114 liter) Round Dolly

### Type 304 Stainless Steel with Bead Blast Finish

**Model 14-SS** Stainless Steel 55-Gallon (210 liter) Round Drum Dolly. Casters are bright-finished steel with MORTUF polyolefin wheels and stainless steel fasteners.

**Model 14-SSC** Stainless Steel Drum Dolly with stainless steel casters and polypropylene wheels.



Model 34



Model 34-5

**Square Drum Dollies** have flat deck with four rounded corners turned up to hold drum in position. Useful if drum has spigot low on side of drum.

**Model 34** 55-Gallon (210 liter) Square Drum Dolly

**Model 34-30** 30-Gallon (114 liter) Square Dolly

**Model 34-5** 5-Gallon (19 liter) Saquare Dolly

### Type 304 Stainless Steel with Bead Blast Finish

**Model 34-5SS** Stainless Steel 5-Gallon Square Dolly

**Model 34-SS** Stainless Steel 55-Gallon Square Dolly

**Model 34-30SS** Stainless Steel 30-Gallon Dolly

### OPTIONS for Any Morse Drum Dolly

**Option 4959I-P** Stainless steel casters with 3" (7.6 cm) polypropylene wheels

**Option 5666I-P** 3" (7.6 cm) Swivel casters with brake



### Patented Design

**Model 24** Clamp+GO™ Dolly Handle (shown)

**Model 24-SS** Stainless Steel Clamp+GO™ Dolly Handle with bead blast finish

### Clamp+GO™ Dolly Handle

When pushing a drum dolly, lateral force at the top of the drum shifts over 70% of the weight to the front dolly wheels. This can make the dolly difficult to control, and potentially hazardous if the dolly wheels hit an obstruction, hole in floor.

Make drum dollies easier and more safe to move. Attach the patented **Clamp+GO™ Dolly Handle** to a drum dolly. You then pull from the bottom of drum to move it around. Provides greater control, and significantly reduces risks with weight more evenly distributed on all dolly wheels.

Use the **Clamp+GO™** with round drum dollies of various sizes. Adjust for 2", 2.5" or 3" (5.08, 6.35 or 7.62 cm) tall dolly sidewall. **Clamp+GO™** works with all Morse round drum dollies, and with many other brands.

Drum Cradles		
Model #	Description	Capacity
<b>40</b>	Drum Cradle Truck for 55-gallon (210 liter) drum	700 Lb. (318 kg)
<b>40-30</b>	Drum Cradle Truck for 30-gallon (114 liter) drum	700 Lb. (318 kg)
<b>31</b>	Tipping Lever for Model 40 or 40-30	-
<b>36</b>	Drum Cradle Truck for 55-gallon (210 liter) drum	500 Lb. (227 kg)
<b>36-SS</b>	Stainless Steel Drum Cradle Truck with bead blast finish. For 55-gallon (210 liter) drum	500 Lb. (227 kg)
<b>46</b>	Drum Cradle Truck for 15-gallon (57 liter) drum	500 Lb. (227 kg)
Drum Upender		
<b>32</b>	Drum Upender	500 Lb. (227 kg)

Drum Dollies			
Model #	Description	For Diameter	Capacity
<b>14</b>	Round Dolly for 55-gallon drum, steel casters with MORTUF polyolefin wheels	Up to 23" (58.4 cm)	1000 Lb. (454 kg)
<b>14M</b>	Round Dolly with spark resistant parts, for 55-gallon drum, steel casters with MORTUF polyolefin wheels	Up to 23" (58.4 cm)	1000 Lb. (454 kg)
<b>14-SS</b>	Round Dolly, bead blast type 304 stainless steel, for 55-gallon drum, steel casters with MORTUF polyolefin wheels	Up to 23" (58.4 cm)	1000 Lb. (454 kg)
<b>14-SSC</b>	Round Dolly, bead blast type 304 stainless steel, for 55-gallon drum, stainless steel casters with polypropylene wheels	Up to 23" (58.4 cm)	1000 Lb. (454 kg)
<b>14-30</b>	Round Dolly for 30-gallon drum, steel casters with MORTUF polyolefin wheels	Up to 20" (50.8 cm)	1000 Lb. (454 kg)
<b>14-30SS</b>	Round Dolly, bead blast type 304 stainless steel, for 30-gallon drum, steel casters with MORTUF polyolefin wheels	Up to 20" (50.8 cm)	1000 Lb. (454 kg)
<b>34</b>	Square Dolly for 55-gallon drum, steel casters with MORTUF polyolefin wheels	Up to 24" (61 cm)	1000 Lb. (454 kg)
<b>34-SS</b>	Square Dolly, bead blast type 304 stainless steel, for 55-gallon drum, steel casters with MORTUF polyolefin wheels	Up to 24" (61 cm)	1000 Lb. (454 kg)
<b>34-30</b>	Square Dolly for 30-gallon drum, steel casters with MORTUF polyolefin wheels	Up to 19.75" (50.2 cm)	1000 Lb. (454 kg)
<b>34-30SS</b>	Square Dolly, bead blast type 304 stainless steel, for 30-gallon drum, steel casters with MORTUF polyolefin wheels	Up to 19.75" (50.2 cm)	1000 Lb. (454 kg)
<b>34-5</b>	Square Dolly for 5-gallon pail, steel casters with MORTUF polyolefin wheels	12.5" (31.75 cm)	200 Lb. (91 kg)
<b>34-5SS</b>	Square Dolly, bead blast type 304 stainless steel, for 5-gallon pail, steel casters with MORTUF polyolefin wheels	12.5" (31.75 cm)	200 Lb. (91 kg)

Options and Accessories for Drum Dollies	
Option #	Description
<b>4959i-P</b>	Stainless steel casters with polypropylene wheels on any Morse drum dolly.
<b>5666i-P</b>	3" Swivel casters with brake
<b>24</b>	Clamp+GO™ Dolly Handle
<b>24-SS</b>	Stainless Steel Clamp+GO™ Dolly Handle with bead blast finish