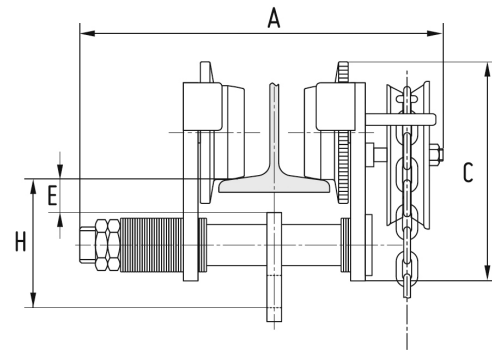
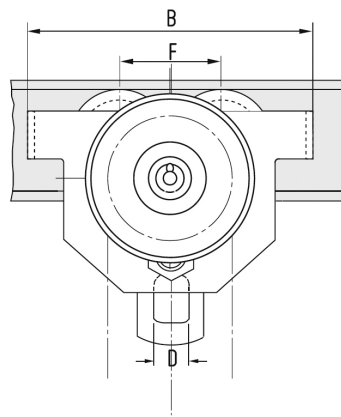


# Geared Trolley

The **Geared Travel Trolley** is adjustable to any beam width by simply adjusting the number of collars.



- Complies with ASME B30.11
- Minimum Headroom
- Heavy Duty Durable Steel
- Easy Installation
- Up to 10 Tons
- Drop-protect Side Plates
- Smooth Operation
- Precision-load Spotting
- Adjustable Beam Width



Product Code	Capacity	Beam Width	A	B	C	D	E	F	H	Net Weight
	<i>lbs.</i>	<i>inches</i>	<i>inches</i>	<i>inches</i>	<i>inches</i>	<i>inches</i>	<i>inches</i>	<i>inches</i>	<i>inches</i>	<i>lbs.</i>
GT005	1/2T	2.68 – 4.96	9.84	7.68	7.09	0.866	0.79	3.78	4.45	18.08
GT010	1T	3.15 – 5.74	10.24	8.27	7.87	0.945	0.86	4.02	5.04	23.15
GT020	2T	3.15 – 6.61	11.61	9.84	8.79	1.181	0.86	4.72	5.98	34.17
GT030	3T	3.46 – 6.61	13	11.81	8.99	1.378	1.06	5.43	7.32	52.91
GT050	5T	3.94 – 7.09	14.57	13.17	15.47	1.65	1.18	6.14	8.62	80.47
GT100	10T	4.92 – 7.99	19.19	17.91	19.29	2.68	1.4	7.9	10.85	205.3