

EB20E Full Powered Walkie Stacker

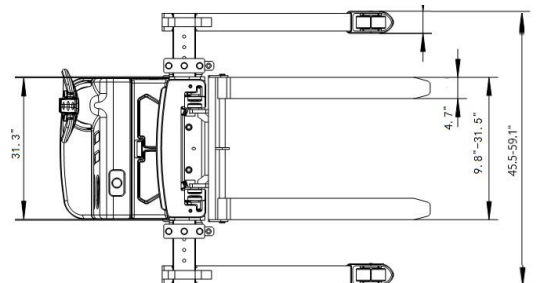
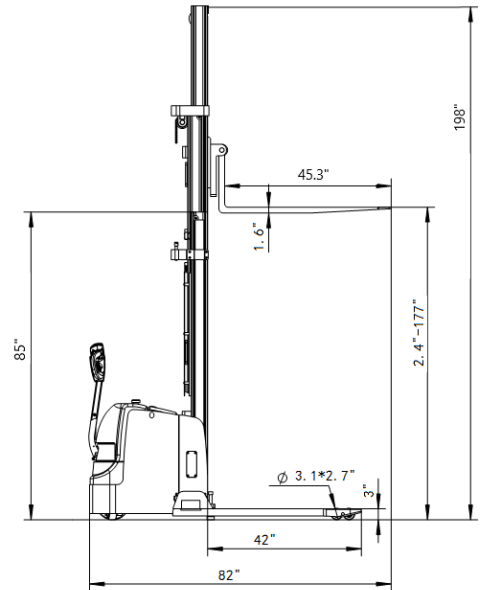
The EKKO EB20E Electric Straddle Stacker is designed with the combination of the versatility of a forklift, reach truck and a walkie stacker. It is ideal for loading and unloading trucks, loading docks, stock rooms, manufacturing floors and warehousing.

Made from high quality steel and components with durable quality drives to withstand any terrain, usage, impact and directional changes for the use of any application with confidence and assurance.

- Load Capacity 4400 lb.
- Raised Height 177"
- Adjustable Forks 9.8-31.5"
- Adjustable Legs 45.5-59.1"
- Fork Length 45.3"
- Curtis Instrument Controller
- 24V AC Drive Motor
- 24V Lift Motor
- Triple Mast
- Battery 24V/210Ah
- Polyurethane Wheels
- Ergonomic Handle and Controls
- Steel Construction
- Robotic Welding
- 3 Year Limited Warranty



Model		EB20E
Load capacity	(lb.)	4400
The max. lifting height	(in)	177
Load center distance	(in)	24
Fork length	(in)	45.3
Single fork width	(in)	4.7
Overall fork width	(in)	9.8-31.5
Lowered fork height	(in)	3
Fixed leg length	(in)	42
Adjustable legs	(in)	45.5-59.1
Turning radius	(in)	60
Overall length	(in)	85
Max width	(in)	61
Extended mast height	(in)	198
Lowered mast height	(in)	85
Battery voltage	(V/Ah)	24/210Ah
The charger	(V/A)	24V/30A
Lifting Motor	(V/W)	3000W, Lift speed, laden/unladen:92/136mm/s Lowering speed, laden/unladen:112/98mm/s
Driving Motor	(W)	1500W, Driving speed: laden/unladen:4.0/4.2km/h
Service Weight	(lb.)	2800



EB18E Full Powered Walkie Stacker

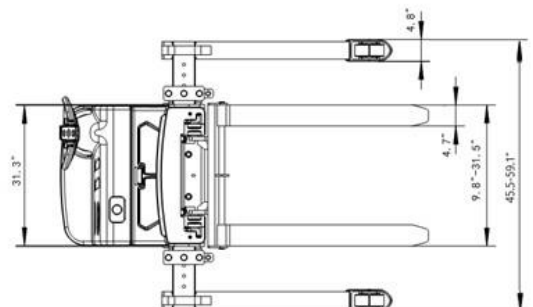
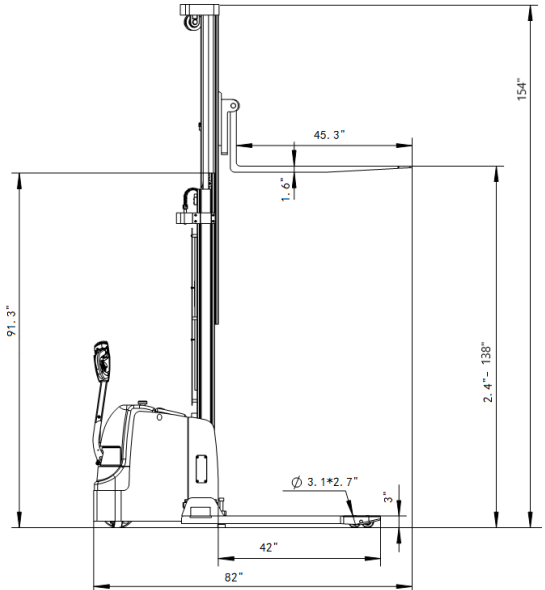
The EKKO EB18E Electric Straddle Stacker is designed with the combination of the versatility of a forklift, reach truck and a walkie stacker. It is ideal for loading and unloading trucks, loading docks, stock rooms, manufacturing floors and warehousing.

Made from high quality steel and components with durable quality drives to withstand any terrain, usage, impact and directional changes for the use of any application with confidence and assurance.

- Load Capacity 4000 lb.
- Raised Height 138"
- Adjustable Forks 9.8-31.5"
- Adjustable Legs 45.5-59.1"
- Fork Length 45.3"
- Curtis Instrument Controller
- 24V AC Drive Motor
- 24V Lift Motor
- Battery 24V/160Ah
- Polyurethane Wheels
- Ergonomic Handle and Controls
- Steel Construction
- Robotic Welding
- 3 Year Limited Warranty



Model		EB18E
Load capacity	(lb.)	4000
The max. lifting height	(in)	138
Load center distance	(in)	24
Fork length	(in)	45.3
Single fork width	(in)	4.7
Overall fork width	(in)	9.8-31.5
Lowered fork height	(in)	2.35
Fixed leg length	(in)	36.5
Adjustable legs	(in)	45.5-59.1
Turning radius	(in)	60
Overall length	(in)	82
Max width	(in)	61
Extended mast height	(in)	154
Lowered mast height	(in)	91.3
Battery voltage	(V/Ah)	2x12V/160Ah
The charger	(V/A)	24V/20A
Lifting Motor	(W)	3000 Watt, Lift speed, laden/unladen:92/136mm/s Lowering speed, laden/unladen:112/98mm/s
Driving Motor	(W)	1500 Watt, Driving speed: laden/unladen:4.0/4.2km/h
Service Weight	(lb.)	2100



EKKO[®]

MATERIAL HANDLING EQUIPMENT

MOVING AHEAD

WALKIE STRADDLE STACKER EB18E / EB20E

- 4000-4400 lbs. Capacity
- 138-177 in. Lift Height
- Narrow Aisles 8 ft.
- Adjustable Legs 45.5-59.1 in.
- Adjustable Forks 8.3-33.5 in.
- Curtis Instrument Controller
- Batteries and Charger Included
- 3 Year Limited Warranty



EB18E / EB20E SERIES

Superior quality, maneuverable, compact, and durable for all your material handling applications. Ideal for small aisles and areas.

WEIGHT CAPACITY: 4000-4400 lbs. @ 24" load center

LIFT HEIGHT: 138" or 177" (11.5 ft. to 14.75 ft.)

FORK LENGTH: 45.3"

ADJUSTABLE OUTRIGGERS: 45.7" - 59.1"

ADJUSTABLE FORKS: 8.3" - 33.5"

MAST HEIGHT: 82" or 92"

TURNING RADIUS: 60"

INTEGRAL BATTERY / CHARGER: 24V 160-210AH, 24-volt deep cycle maintenance-free batteries with external direct connect 110A 110VAC plug-in automatic 24V/20-30A charger (both Included)

SPEED TRAVEL: 3.3 mph empty ; 3.0 mph loaded

LIFTING SPEED: 5.35 ips empty; 3.6 ips loaded

LOWERING SPEED: 3.85 ips empty; 4.4 ips loaded

DRIVE WHEELS: 9" x 3" polyurethane

STABILITY: 4" x 2" polyurethane

LOAD WHEELS: (2) 4" x 3" polyurethane per outrigger

HYDRAULICS LIFTING MOTOR: 24V 2200 Watt lifting motor with hardened chrome moly steel for durability.

DRIVE MOTOR: 24V 750Watt AC drive motor for efficiency and high torque.

AC CONTROLLER: 24V CURTIS Instrument provides performance through entire range of speed; Constant travel speed regardless of load; Battery discharge indicator combination gauge.

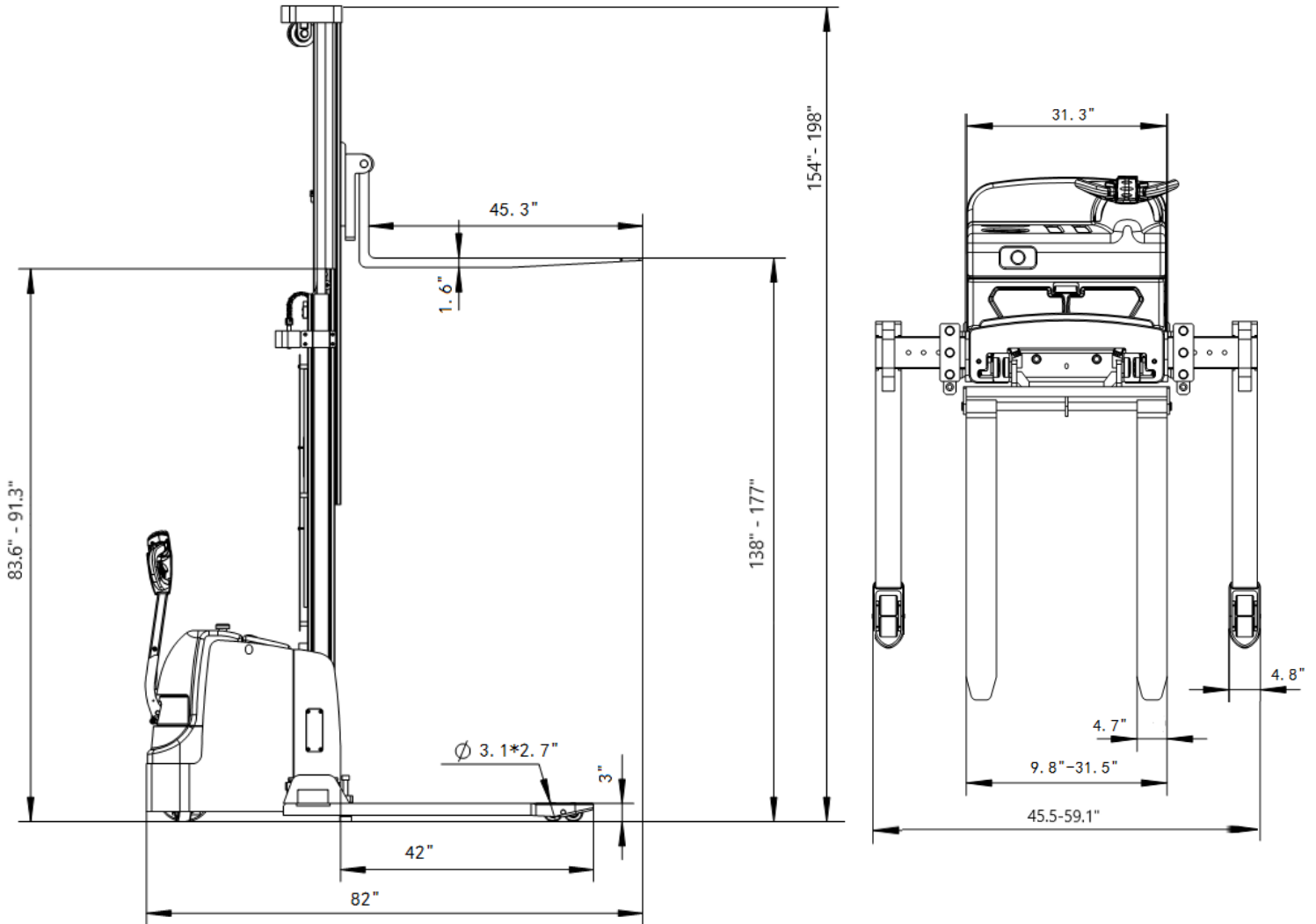
BRAKES: Electro-magnetic braking for secure stopping power; Electronic neutral braking for accurate control.

OPERATOR CONTROLS: Throttle, lifting, lowering, turtle mode and horn functions are located in the ergonomic handle; Offset steering handle to provide better visibility; Belly button reverse safety feature allows the unit to stop and reverse to avoid collision or injury.

CHASSIS AND MAST: Robotic Welding; Heavy duty steel chassis with I-beam mast for durability; Telescoping mast includes a protective steel guard.



Walkie Straddle Stacker



MODEL #	MAST	LIFT HEIGHT	MAX MAST HEIGHT	SERVICE WEIGHT
EB18E	91.3	138"	154"	2100
EB20E	83.6	177"	198"	2800

EKKO[®]

MATERIAL HANDLING EQUIPMENT

MOVING AHEAD

WALKIE STRADDLE STACKER EB18E / EB20E

- 4000-4400 lbs. Capacity
- 138-177 in. Lift Height
- Narrow Aisles 8 ft.
- Adjustable Legs 45.5-59.1 in.
- Adjustable Forks 8.3-33.5 in.
- Curtis Instrument Controller
- Batteries and Charger Included
- 3 Year Limited Warranty



EB18E / EB20E SERIES

Superior quality, maneuverable, compact, and durable for all your material handling applications. Ideal for small aisles and areas.

WEIGHT CAPACITY: 4000-4400 lbs. @ 24" load center

LIFT HEIGHT: 138" or 177" (11.5 ft. to 14.75 ft.)

FORK LENGTH: 45.3"

ADJUSTABLE OUTRIGGERS: 45.7" - 59.1"

ADJUSTABLE FORKS: 8.3" - 33.5"

MAST HEIGHT: 82" or 92"

TURNING RADIUS: 60"

INTEGRAL BATTERY / CHARGER: 24V 160-210AH, 24-volt deep cycle maintenance-free batteries with external direct connect 110A 110VAC plug-in automatic 24V/20-30A charger (both Included)

SPEED TRAVEL: 3.3 mph empty ; 3.0 mph loaded

LIFTING SPEED: 5.35 ips empty; 3.6 ips loaded

LOWERING SPEED: 3.85 ips empty; 4.4 ips loaded

DRIVE WHEELS: 9" x 3" polyurethane

STABILITY: 4" x 2" polyurethane

LOAD WHEELS: (2) 4" x 3" polyurethane per outrigger

HYDRAULICS LIFTING MOTOR: 24V 2200 Watt lifting motor with hardened chrome moly steel for durability.

DRIVE MOTOR: 24V 750Watt AC drive motor for efficiency and high torque.

AC CONTROLLER: 24V CURTIS Instrument provides performance through entire range of speed; Constant travel speed regardless of load; Battery discharge indicator combination gauge.

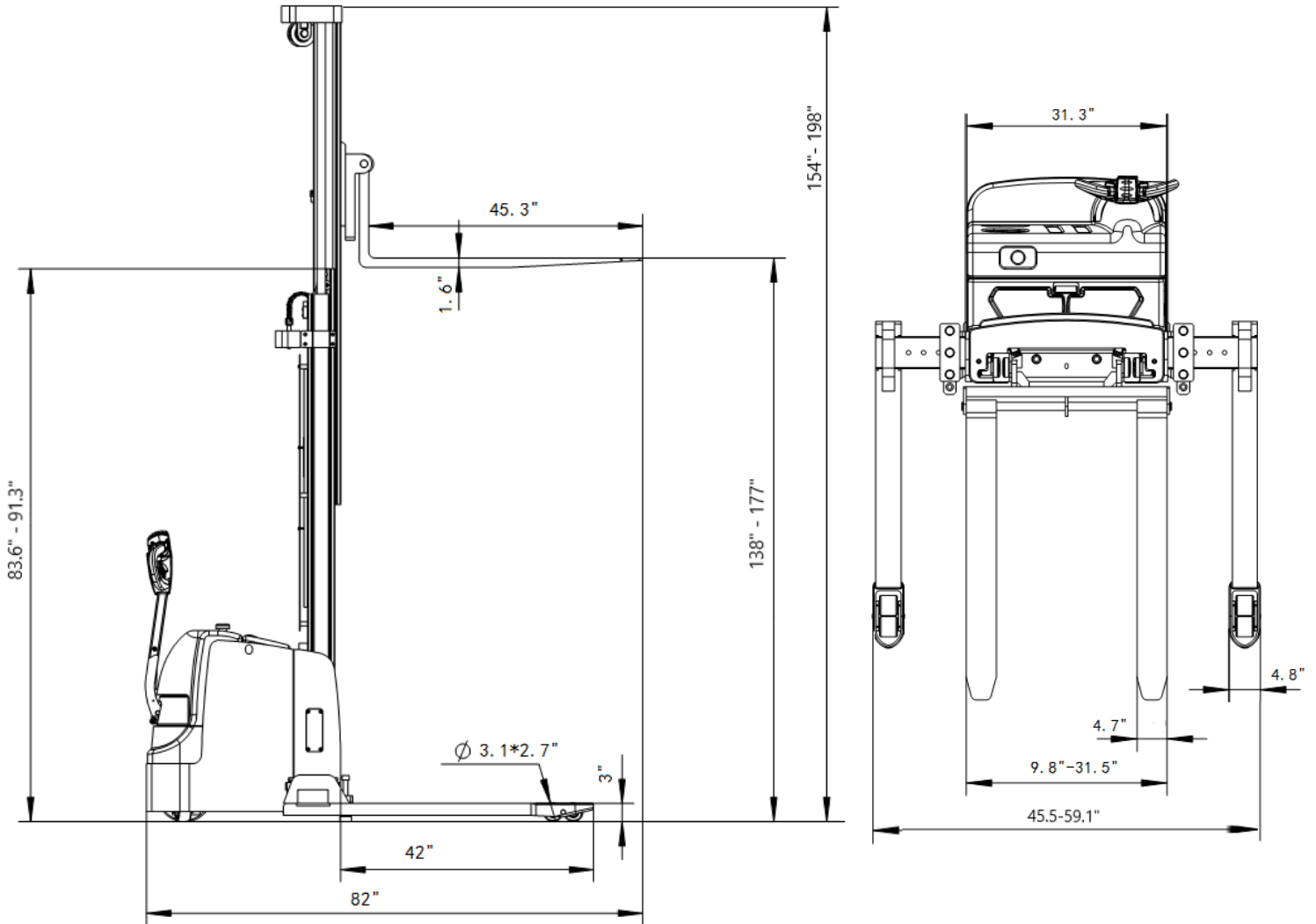
BRAKES: Electro-magnetic braking for secure stopping power; Electronic neutral braking for accurate control.

OPERATOR CONTROLS: Throttle, lifting, lowering, turtle mode and horn functions are located in the ergonomic handle; Offset steering handle to provide better visibility; Belly button reverse safety feature allows the unit to stop and reverse to avoid collision or injury.

CHASSIS AND MAST: Robotic Welding; Heavy duty steel chassis with I-beam mast for durability; Telescoping mast includes a protective steel guard.



Walkie Straddle Stacker



MODEL #	MAST	LIFT HEIGHT	MAX MAST HEIGHT	SERVICE WEIGHT
EB18E	91.3	138"	154"	2100
EB20E	83.6	177"	198"	2800