

EK14-130Li Counterbalanced Stacker

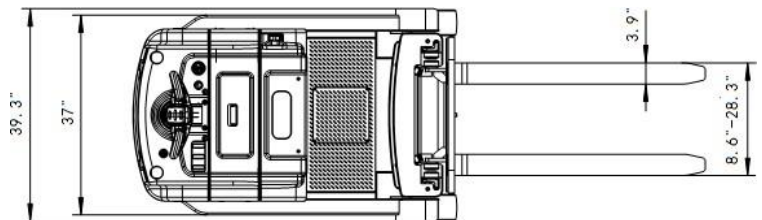
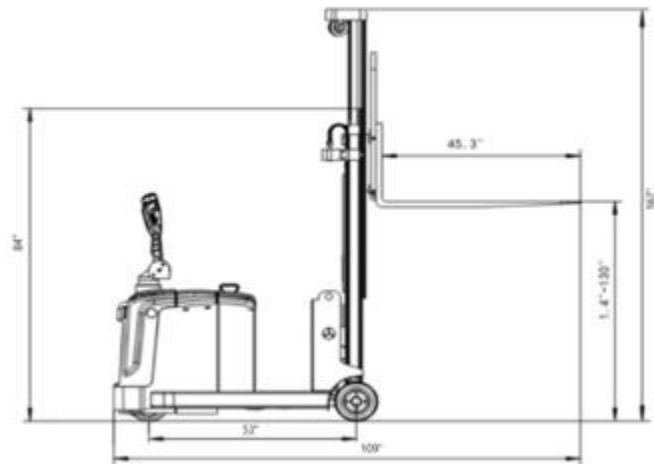
The EKKO EK14-189Li Fully Powered Counterbalanced Walkie Stacker is designed with the combination of the versatility of a forklift and a walkie stacker. It is ideal for loading and unloading trucks, loading docks, stock rooms, manufacturing floors and warehousing.

Made from high quality steel and components with durable quality drives to withstand any terrain, usage, impact and directional changes for the use of any application with confidence and assurance.

- Load Capacity 3300 lb.
- Raised Height 130"
- Adjustable Forks 8.6-28.3"
- Tilt 2/5 degree
- Fork Length 45.3"
- Curtis Instrument Controller
- EPS (Electronic Power Steering)
- 24V ZF AC Drive Motor
- 24V Lift Motor
- Polyurethane Wheels
- Ergonomic Handle and Controls
- Steel Construction
- Robotic Welding
- 3 Year Limited Warranty



Model		EK14-130LI
Lift		Electric
Drive		Electric
Load capacity	(lb.)	3300
Load center distance	(in)	24
Wheelbase	(in)	47
Lifting height	(in)	130
Lowered mast height	(in)	84.5
Extended mast height	(in)	224
Mast/Fork carriage tilt forward/backward	(°)	2/5
Overall length	(in)	109
Overall width	(in)	39
Fork size, Thick/Width/Length	(in)	1.4/4/45.3
Fork adjust width	(in)	8.6-28.3
Turning radius	(in)	57
Gradient laden/unladen	(%)	6/10
Lift speed, laden/unladen	(in/s)	4/5.1
Lowering speed, laden/unladen	(in/s)	5.3/4.7
Charger	(V/A)	24V/50A LI
Driving Motor	(V/W)	AC 24V/2500W
Lifting Motor	(V/W)	24V/2500W
EPS Steering Motor	(V/W)	24/200W
Battery voltage	(V/Ah)	24V/150Ah Lithium
Service Weight	(lb.)	4350



EKKO[®]

MATERIAL HANDLING EQUIPMENT

MOVING **AHEAD**

COUNTERBALANCE STACKER EK14-130Li SERIES

- Load Capacity 3300 lbs.
- Lift Height 130" in.
- EPS (Elec. Power Steer)
- Length 105 in.
- Curtis Instrument Controller
- Tilt 2/5 degree
- Mast Height 84 in.
- Battery & Charger Included
- 3 Year Limited Warranty



www.ekkolifts.com

EK14-130Li SERIES

Superior quality, maneuverable, compact, and durable for all your material handling applications. Ideal for small aisles and areas.

WEIGHT CAPACITY: 3300 lbs. @ 24" load center

LIFT HEIGHT: 130" (10.83ft)

FORK LENGTH: 45.3"

MAST HEIGHT: 84"

TURNING RADIUS: 62"

TILT: 2/5 degree

BATTERY / CHARGER: 24V/150AH-Li, 24-volt Industrial battery with external direct connect 110A 110VAC plug-in automatic 24V/50A charger (both Included)

BRAKING: Electromagnetic Brakes

SPEED TRAVEL: 3.7 mph empty ; 3.5 mph loaded

LIFTING SPEED: 5.5 ips empty; 4 ips loaded

LOWERING SPEED: 4.7 ips empty; 5.3 ips loaded

DRIVE WHEELS: 9.8" x 3" Polyurethane

LOAD WHEELS: (2) 9.8" x 4.7" Polyurethane

HYDRAULICS LIFTING MOTOR: 24V 3000 Watt lifting motor with hardened chrome moly steel for durability.

DRIVE MOTOR: 24V 2500-Watt German ZF AC drive motor for efficiency and high torque.

STEERING MOTOR: EPS (Electronic Power Steering) 24V 200 Watt

AC CONTROLLER: 24V CURTIS Instrument provides performance through entire range of speed; Constant travel speed regardless of load; Battery discharge indicator combination gauge.

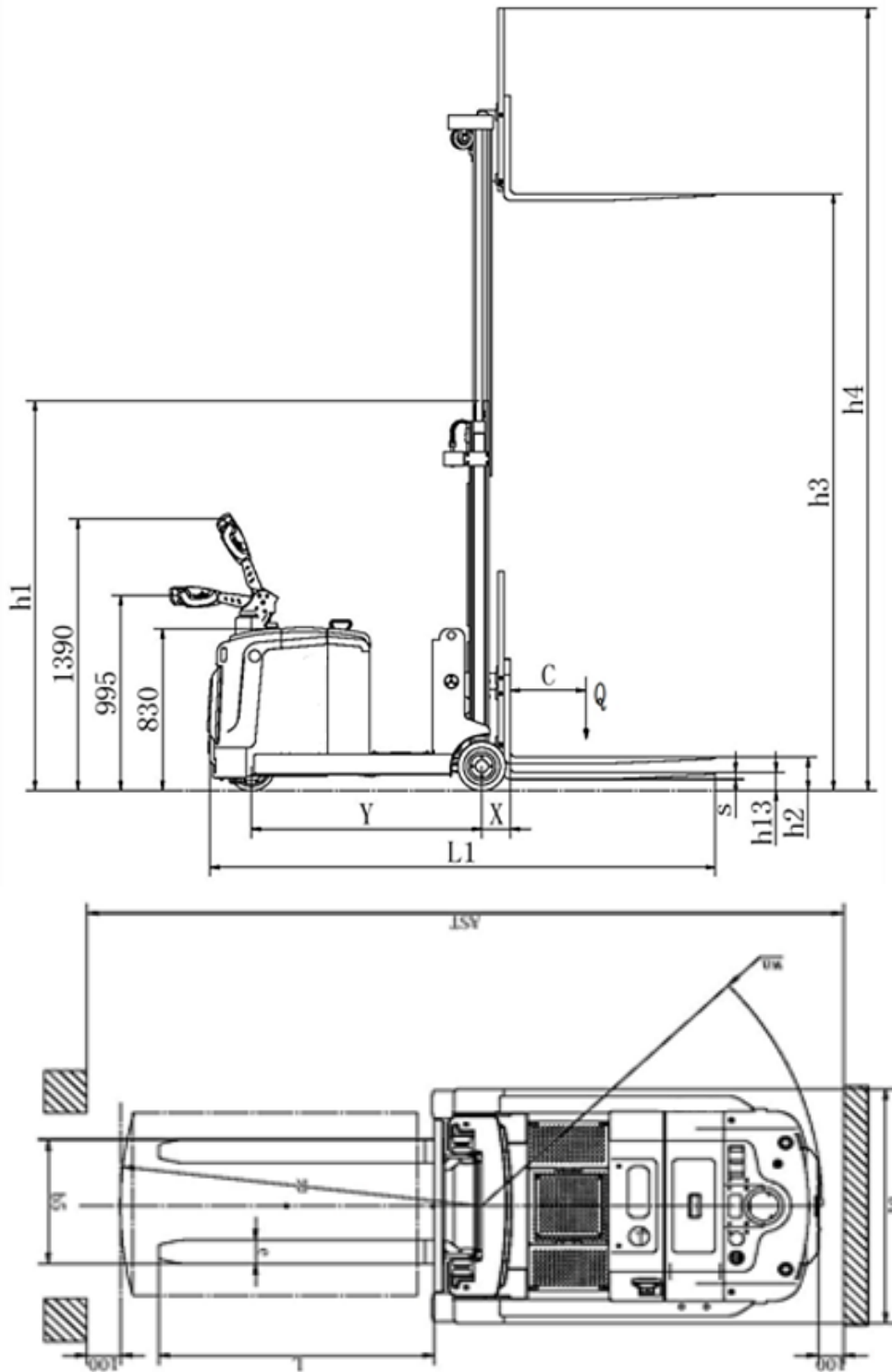
BRAKES: Electro-magnetic braking for secure stopping power; Electronic neutral braking for accurate control.

OPERATOR CONTROLS: EPS (Electric Power Steering), tilt lifting, lowering, horn functions are located in the ergonomic handle; Belly button reverse safety feature allows the unit to stop and reverse to avoid collision or injury.

CHASSIS AND MAST: Robotic Welding; Heavy duty steel chassis with I-beam mast for durability; Telescoping mast.



Counterbalance Stacker



MODEL #	LOAD	MAST	LIFT HEIGHT	MAX MAST HEIGHT	TOTAL LENGTH	SERVICE WEIGHT
EK14-130Li	3300 lbs.	84"	130"	155"	105"	3750 lbs.