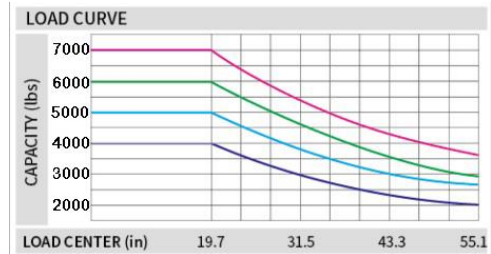
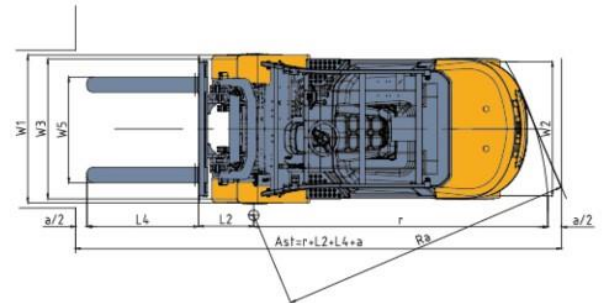
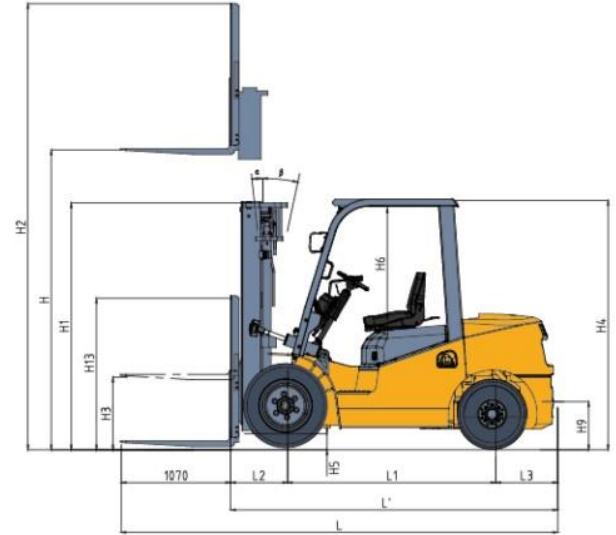


EK25-212LP Liquid Propane Forklift

Model		EK25-212LP
Lift		Propane
Drive		Sit-Down
Load capacity	(lb.)	5000
Load center distance	(in)	24
Tire	(in)	Solid Pneumatic
Lifting height	(in)	212
Free lifting height	(in)	55.1
Lowered mast height	(in)	94.5
Mast tilting angle (front / rear)	(°)	6/12
Service Brake		Hydraulic Floor Pedal
Overall length	(in)	143.9
Overall width	(in)	45.3
Fork size, Thick/Width/Length	(in)	42.1X4.8X1.57
Wheelbase	(in)	65
Min turning radius (exterior)	(in)	88.2
Driving speed, load/unload	Mph	11.2/11.8
Engine Mode		Kubota WG2503
Engine rated power	HP/rpm	LPG: 58.3/2600
Engine rated torque	Ft*lb./rpm	LPG: 120.7*1800
Engine cylinder number-bore X stroke	In	4-3.5x40.3
Service Weight	(lb.)	9,020



The EKKO EK25-212LP Liquid Propane 4 Wheel Forklift is designed to be used for all your material handling demands, warehousing, and distribution.

This unit is manufactured with high durable quality, Tier 4 EPA compliant with the Kubota engine and competitive pricing.

- Multifunction instrument panel - motoring for Safety and efficient operation
- Operator compartment- nonslip entrance step, wider access & leg room.
- Adjustable steering column limiting operator arm and shoulder fatigue.
- Excellent Operator visibility.
- Integral Heavy-Duty Chassis- ensuring driver protection
- Steer axle pivots to 80 degrees for tighter turning radius.
- Hydraulic controls
- 3 Year Limited Warranty

