

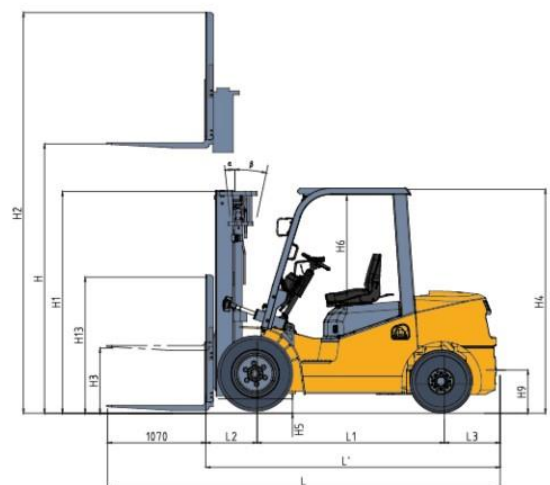
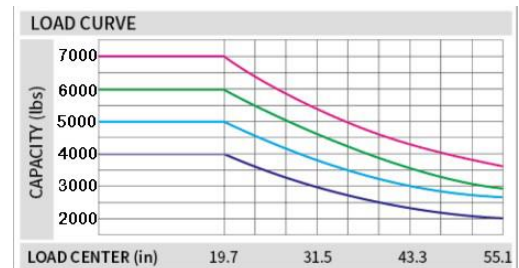
## EK25LP Liquid Propane Forklift

Model		EK25LP
Lift		Propane
Drive		Sit-Down
Load capacity	(lb.)	5000
Load center distance	(in)	24
Tire	(in)	Solid Pneumatic
Lifting height	(in)	189
Free lifting height	(in)	47.64"
Lowered mast height	(in)	87
Mast tilting angle (front / rear)	( ° )	6/12
Service Brake		Hydraulic Floor Pedal
Overall length	(in)	143.9
Overall width	(in)	45.3
Fork size, Thick/Width/Length	(in)	42.1X4.8X1.57
Wheelbase	(in)	65
Min turning radius (exterior)	(in)	88.2
Driving speed, load/unload	Mph	11.2/11.8
Engine Mode		Kubota WG2503
Engine rated power	HP/rpm	LPG: 58.3/2600
Engine rated torque	Ft*lb./rpm	LPG: 120.7*1800
Engine cylinder number-bore X stroke	(In)	4-3.5x40.3
Service Weight	(lb.)	8,910

The EKKO EK25LP Liquid Propane 4 Wheel Forklift is designed to be used for all your material handling demands, warehousing, and distribution.

This unit is manufactured with high durable quality, Tier 4 EPA compliant with the Kubota engine and competitive pricing.

- Multifunction instrument panel - motoring for Safety and efficient operation
- Operator compartment- nonslip entrance step, wider access & leg room.
- Adjustable steering column limiting operator arm and shoulder fatigue.
- Excellent Operator visibility.
- Integral Heavy-Duty Chassis- ensuring driver protection
- Steer axle pivots to 80 degrees for tighter turning radius.
- Hydraulic controls
- 3 Year Limited Warranty



- Load Capacity 5,000-10,000 lbs.
- Lift Height 185-212"
- Free Lift 40.9"-55.1"
- Triple Mast
- Tilt 6/12 degrees
- Kubota Engine
- Driving speed 10.2-11.8 MPH
- 3 Year Limited Warranty



# 4-Wheel LPG



## ***EK25LP / EK25-212LP / EK30LP / EK35LP / EK50LP***

**Liquid Propane 4 Wheel Forklift is designed to be used for all your material handling demands, warehousing, and distribution. Tier 4 EPA compliant.**

Model		EK25LP	EK25-212LP	EK30LP	EK35LP	EK50LP
Drive type		LPG	LPG	LPG	LPG	LPG
Type of operation		Propane	Propane	Propane	Propane	Propane
Load Capacity	LBS	5,000	5,000	6,000	7,000	10,000
Load Centre	IN	24	24	24	24	24
Lift Height	IN	189	212	189	189	185
Service Weight	LBS	8,910	9,020	10,320	10,605	16,250
Tire material		Solid Pneumatic	Solid Pneumatic	Solid Pneumatic	Solid Pneumatic	Pattern Cush. Tire
Service Brake		Hydraulic Floor Pedal	Hydraulic Floor Pedal	Hydraulic Floor Pedal	Hydraulic Floor Pedal	Hydraulic Floor Pedal
Overall width	IN	45.3	45.3	48.2	48.2	55.9
Overall length with forks	IN	143.9	143.9	150.3	150.4	157
Min turning radius (exterior)	IN	88.2	88.2	94.5	94.5	88.2
Free lifting height	IN	47.64	55.1	40.9	42.9	44.3
Fork Size	IN	42.1X4.8X1.57	42.1X4.8X1.57	42.1X4.9X1.77	42.1X4.9X1.77	48x5.9x1.97
Mast tilting angle (front / rear)	DEG	6°/12°	6°/12°	6°/12°	6°/12°	6°/12°
Driving Speed, load/unload	MPH	11.2/11.8	11.2/11.8	11.8/11.8	11.8/11.8	10.2/11.2
Engine Mode		Kubota WG2503	Kubota WG2503	Kubota WG2503	Kubota WG2503	Kubota WG3800
Engine rated power	HP/RPM	LPG: 58.3/2600	LPG: 58.3/2600	LPG: 58.3/2600	LPG: 60.1/2400	LPG: 63.2

# 4-Wheel LPG

