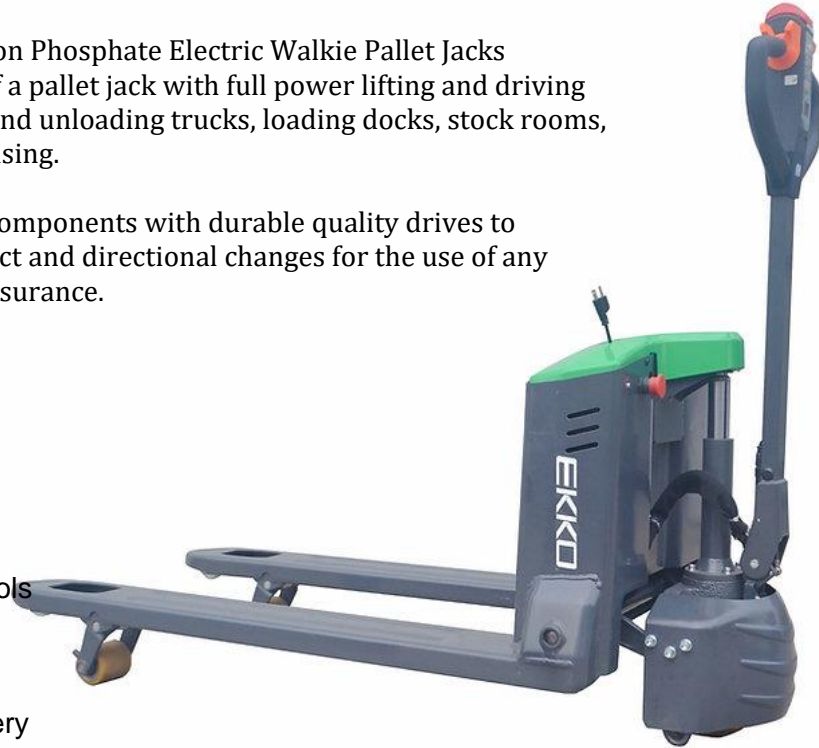


EKKO EP15JLI LITHIUM-IRON Walkie Pallet Jack

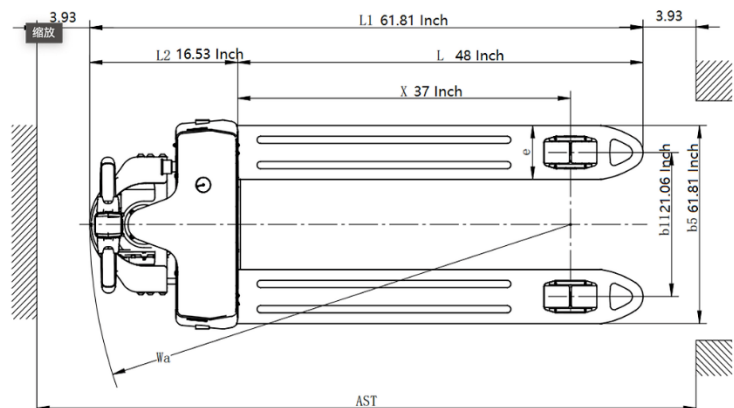
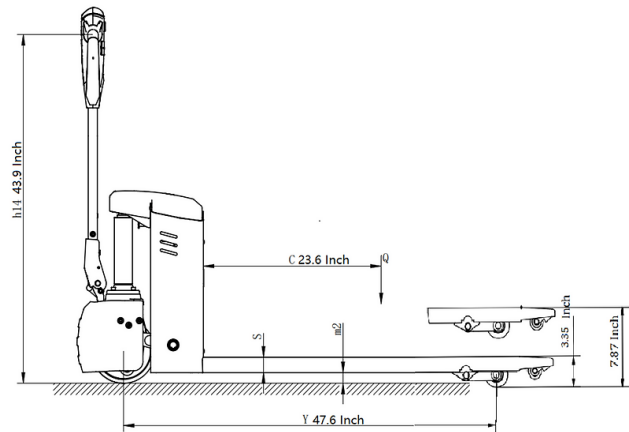
The EKKO EP-JLI series Lithium Iron Phosphate Electric Walkie Pallet Jacks are designed with the versatility of a pallet jack with full power lifting and driving capabilities. It is ideal for loading and unloading trucks, loading docks, stock rooms, manufacturing floors and warehousing.

Made from high quality steel and components with durable quality drives to withstand any terrain, usage, impact and directional changes for the use of any application with confidence and assurance.

- Lithium 24V Powered.
- Load Capacity 3300 lb.
- Fork Size 27x48
- Raised Height 7.87"
- Lowered Height 3.35"
- Pinwheel Capability
- Polyurethane Wheels
- Ergonomic Handle and Controls
- Steel Construction
- Robotic Welding
- Charger Included
- (1) Lithium Ion LiFePO4 Battery
- 3 Years Limited Warranty



Model		EP15JLI
Lift		Electric
Drive		Electric
Load capacity	(lb.)	3300
Load center	(in)	23.6
Wheelbase	(in)	47.6
Lowered fork height	(in)	3.35
Lifting height	(in)	7.8
Overall length	(in)	61.81
Overall width	(in)	27
Fork size	s/e/l (in)	1.97/5.9/48
Fork Width	(in)	61.81
Turning radius	(in)	53.7
Lifting speed, laden/unladen	(in/s)	N/A
Lowering speed, laden/unladen	(in/s)	N/A
Max gradient performance laden/unladen	(%)	5/10
Brake type		electromagnetic
Drive motor	(KW)	0.75
Lift motor	(KW)	0.8
Battery voltage/rated capacity	(V/Ah)	24V/30Ah Li
DC Drive Motor		DC Motor speed control
Noise level at operator seat	(dB(A))	70
Service weight with battery	(lb.)	308



EKKO EP18JLI LITHIUM-IRON Walkie Pallet Jack

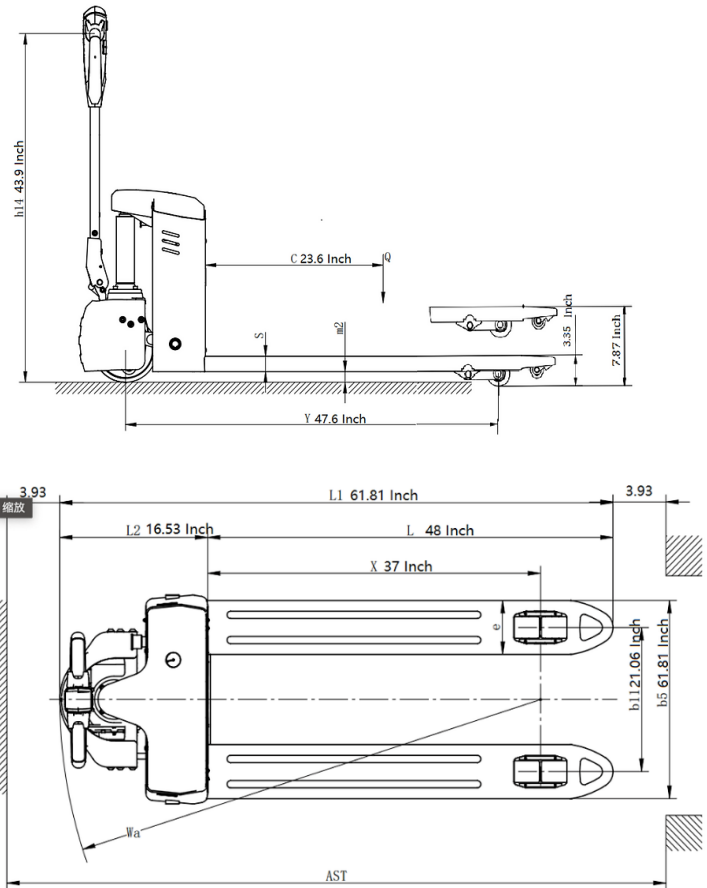
The EKKO EP18JLI Lithium Iron Phosphate Electric Walkie Pallet Jack is designed with the versatility of a pallet jack with full power lifting and driving capabilities. It is ideal for loading and unloading trucks, loading docks, stock rooms, manufacturing floors and warehousing.

Made from high quality steel and components with durable quality drives to withstand any terrain, usage, impact and directional changes for the use of any application with confidence and assurance.

- Lithium 24V Powered.
- Load Capacity 4000 lb.
- Fork Size 27x48
- Raised Height 7.8"
- Lowered Height 3.35"
- Pinwheel Capability
- Polyurethane Wheels
- Ergonomic Handle and Controls
- Steel Construction
- Robotic Welding
- Charger Included
- (1) Lithium Ion Battery LiFePO4 Included 24V/40Ah
- 3 Years Limited Warranty



Model		EP18JLI
Lift		Electric
Drive		Electric
Load capacity	(lb.)	4000
Load center	(in)	23.6
Wheelbase	(in)	47.6
Lowered fork height	(in)	3.35
Lifting height	(in)	7.8
Overall length	(in)	61.81
Overall width	(in)	27
Fork size	s/e/l (in)	1.97/5.9/48
Fork Width	(in)	61.81
Turning radius	(in)	53.7
Lifting speed, laden/unladen	(in/s)	N/A
Lowering speed, laden/unladen	(in/s)	N/A
Max gradient performance laden/unladen	(%)	5/10
Brake type		electromagnetic
Drive motor	(KW)	0.75
Lift motor	(KW)	0.8
Battery voltage/rated capacity	(V/Ah)	24V/40Ah Li
DC Drive Motor		DC Motor speed control
Noise level at operator seat	(dB(A))	70
Service weight with battery	(lb.)	319



EKKO EP20JLI LITHIUM-IRON Walkie Pallet Jack

The EKKO EP20JLI Lithium Iron Phosphate Electric Walkie Pallet Jack is designed with the versatility of a pallet jack with full power lifting and driving capabilities. It is ideal for loading and unloading trucks, loading docks, stock rooms, manufacturing floors and warehousing.

Made from high quality steel and components with durable quality drives to withstand any terrain, usage, impact and directional changes for the use of any application with confidence and assurance.

- Lithium 48V Powered.
- Load Capacity 4400 lb.
- Fork Size 27x48
- Raised Height 7.8"
- Lowered Height 3.35"
- Pinwheel Capability
- Polyurethane Wheels
- Ergonomic Handle and Controls
- Steel Construction
- Robotic Welding
- Charger Included
- (1) Lithium Ion Battery LiFePO4 Included 48V/20Ah
- 3 Years Limited Warranty



Model		EP20JLI
Lift		Electric
Drive		Electric
Load capacity	(lb.)	4400
Load center	(in)	23.6
Wheelbase	(in)	47.6
Lowered fork height	(in)	3.35
Lifting height	(in)	7.8
Overall length	(in)	61.81
Overall width	(in)	27
Fork size	s/e/l (in)	1.97/5.9/48
Fork Width	(in)	61.81
Turning radius	(in)	53.7
Lifting speed, laden/unladen	(in/s)	N/A
Lowering speed, laden/unladen	(in/s)	N/A
Max gradient performance laden/unladen	(%)	5/10
Brake type		electromagnetic
Drive motor	(KW)	1
Lift motor	(KW)	0.8
Battery voltage/rated capacity	(V/Ah)	48V/20Ah Li
DC Drive Motor		DC Motor speed control
Noise level at operator seat	(dB(A))	70
Service weight with battery	(lb.)	326

