

# EKKO

MATERIAL HANDLING EQUIPMENT

MOVING **AHEAD**

## WALKIE PALLET JACKS EP20E / EP25E

- 4400-5500 lbs. Capacity
- Forks 27x48
- Curtis Instrument Controller
- AC Drive Motor
- Polyurethane Wheels
- Stability Casters
- Electromagnetic Braking
- Batteries and Charger Included
- 3 Year Limited Warranty



## EP2 SERIES

Superior quality, maneuverable, compact, and durable for all your material handling applications. Ideal for small aisles and areas.

**WEIGHT CAPACITY:** 4400-5500 lbs.

**LIFT HEIGHT:** 7.9"

**FORK LENGTH:** 27x48"

**TURNING RADIUS:** 60"

**INTEGRAL BATTERY / CHARGER:** 24V 160-240AH, 24-volt deep cycle maintenance-free or industrial batteries with external direct connect 110A 110VAC plug-in automatic 24V/20-30A charger (both Included)

**SPEED TRAVEL:** 3.3 mph empty ; 3.0 mph loaded

**LIFTING SPEED:** 1.1 ips empty; .8 ips loaded

**LOWERING SPEED:** 1.5 ips empty; 1.5 ips loaded

**DRIVE WHEELS:** 10.6" x 2.75" polyurethane

**STABILITY CASTERS:** 4" x 1.5" polyurethane

**LOAD WHEELS:** (2) 3.1" x 3.7" polyurethane

**HYDRAULICS LIFTING MOTOR:** 24V 800 Watt lifting motor with hardened chrome moly steel for durability.

**DRIVE MOTOR:** 24V 1300 Watt AC drive motor for efficiency and high torque.

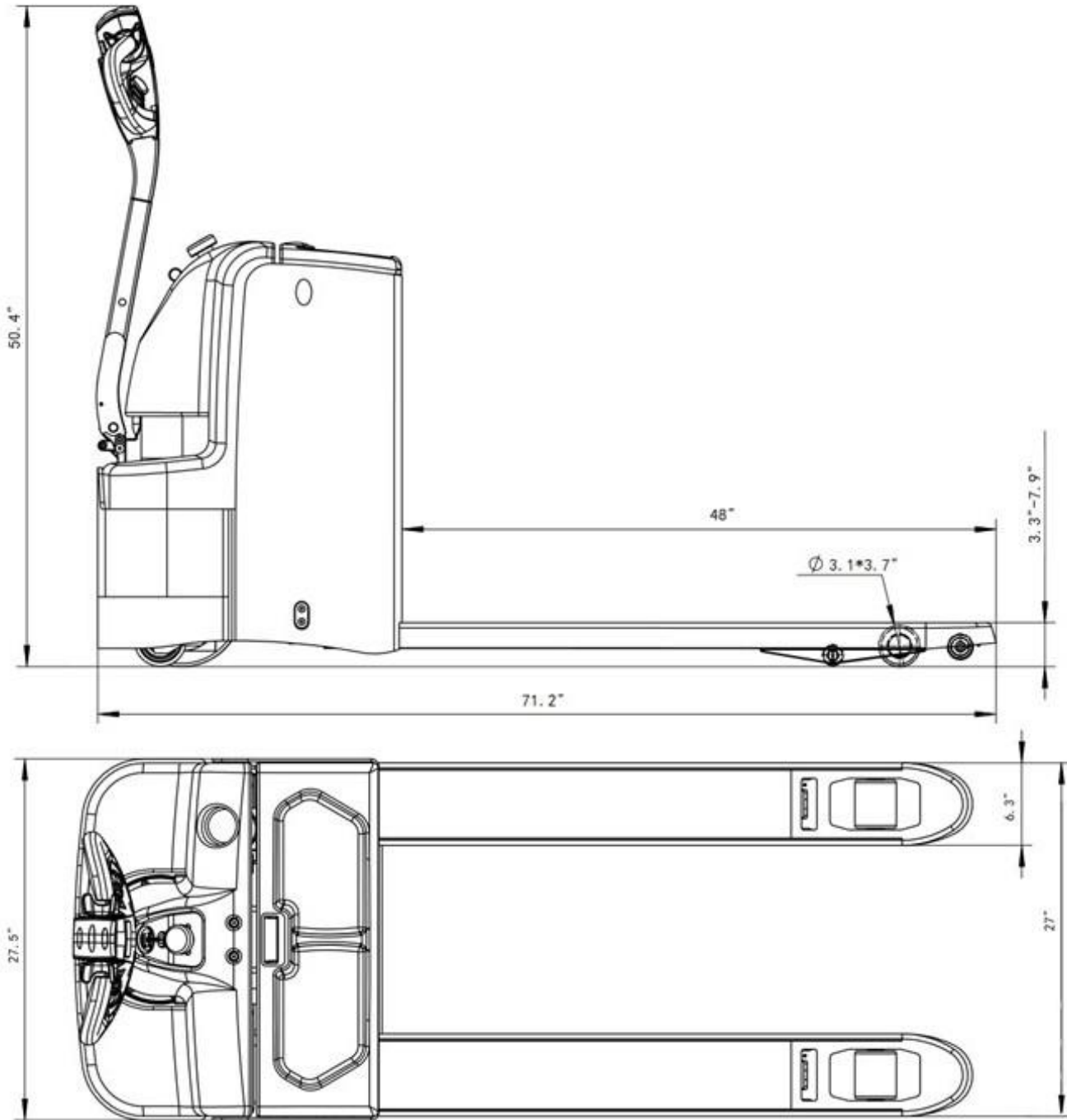
**AC CONTROLLER:** 24V CURTIS Instrument provides performance through entire range of speed; Constant travel speed regardless of load; Battery discharge indicator combination gauge.

**BRAKES:** Electro-magnetic braking for secure stopping power; Electronic neutral braking for accurate control.

**OPERATOR CONTROLS:** Throttle, lifting, lowering, turtle mode and horn functions are located in the ergonomic handle; turtle button; belly button reverse safety feature allows the unit to stop and reverse to avoid collision or injury.

**CHASSIS AND MAST:** Robotic Welding; Heavy duty steel for durability.





MODEL #	LOAD CAPACITY	FORKS	BATTERY	SERVICE WEIGHT
EP20E	4400lbs	27x48	160Ah	860lbs
EP25E	5500lbs	27x48	240Ah	1190lbs