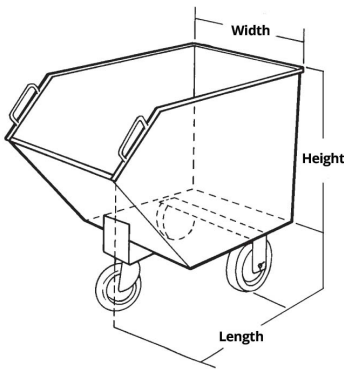
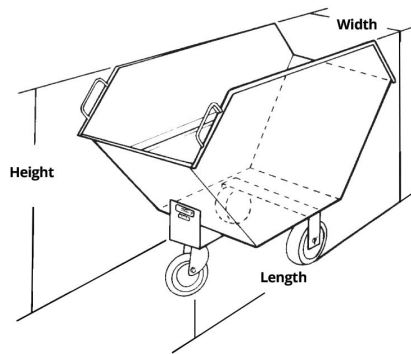




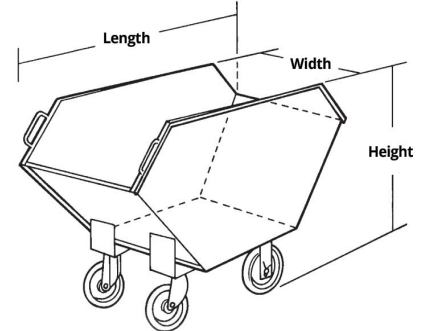
- Perfect solution for collecting, storing, and transporting a variety of heavy material or scrap.
- Used throughout production, fulfillment, maintenance and other departments.
- Tapered edge for easy loading and unloading.
- Dual steel handles for simple handling.
- Leak-proof continuous solid welds.
- Hemmed top edge provides increased durability.
- Premium powder coat paint finish.
- Ships fully assembled, ready to use.
- Made in the U.S.A.



**3-Wheel**  
Single Taper



**3-Wheel**  
Dual Taper



**4-Wheel**  
Dual Taper

## Chip Trucks

Model #	Capacity (cu. ft.)	Style	Wheels	Steel Gauge	Dimensions L x W x H	Capacity (lbs.)	Weight (lbs.)
F85056A9	9	3-Wheel - Single Taper	(3) 8" Rubber: 2 Rigid, 1 Swivel	14	48 x 24 x 39"	1,000	135
F85096A1	11	3-Wheel - Dual Taper			66 x 24 x 39"	1,500	145
F85142A5	14	4-Wheel - Dual Taper	(4) 8" Rubber: 2 Rigid, 2 Swivel		66 x 30 x 39"	2,000	175
F85161A1	17	4-Wheel - Dual Taper			66 x 36 x 39"	2,000	185

