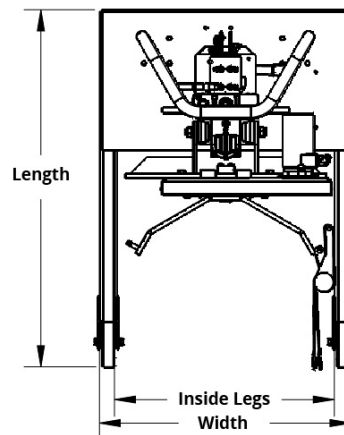
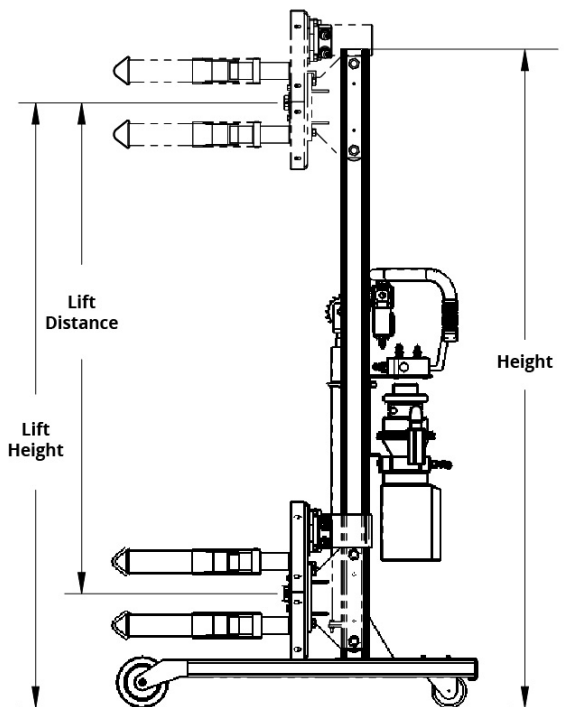




- Powered lifting and rotating (manual drive).
- Pneumatic power source for spark resistant environments (air power source required).
- Easily transport and dump drums (steel, plastic and fiber) throughout facilities.
- Rotate 360° continuously in either direction, at 6 RPM.
- Straps: secure drums manually, 14-24" in diameter.
- Straddle: extended legs go under pallets, shelving, or on outside of drums.
- Standalone unit (no forklift required).
- Heavy gauge steel construction.
- Optional floor lock available (sold separately).
- Premium powder coat paint finish.
- Ships fully assembled, ready to use.
- Made in the U.S.A.



## Pneumatic Semi-Powered Drum Lift and Rotators

Model #	Connection Type	Base	Height	Lift		Power Source	Turn Radius	Inside Legs	Casters	Dimensions L x W x H	Capacity (lbs.)	Weight (lbs.)
				Ht.	Dist.							
F88589B9	Strap Connection	Straddle	78"	71"	58"	Pneumatic	44"	25"	(2) 6" Front Rigid, (2) 4" Rear Swivel	43 x 30 x 78"	800	490
F88590B6			90"	84"	71"							505

**Straddle Floor Lock:** Model # F89410A2, optional floor lock for straddle models

