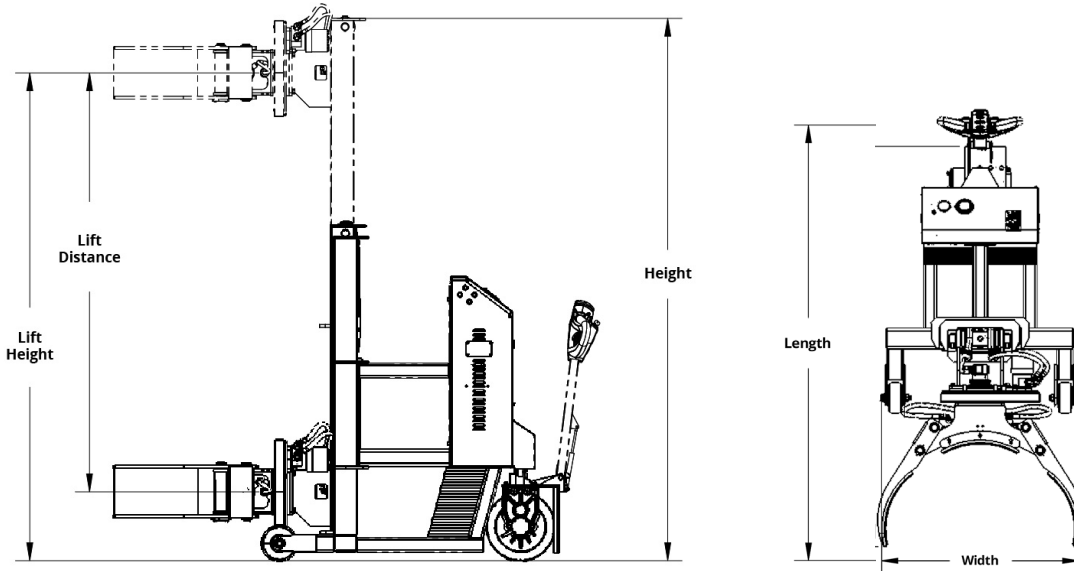




Telescopic

- Telescoping mast, raise to a max height of 94½" and retract mast to 59" for door clearance.
- Powered lifting, rotating, and driving (up to 2.5 MPH).
- Quickly and ergonomically transport, dump and store drums (steel, plastic and fiber).
- Rotate 360° continuously in either direction, at 6 RPM.
- Grip: remote jaws grab drums (18-24"), with adjustable pressure gauge.
- Counterweighted: ability to butt directly up to pallets, shelving, or other items.
- Standalone unit (no forklift required).
- Heavy gauge steel construction.
- Optional floor lock available (sold separately).
- Premium powder coat paint finish.
- Ships fully assembled, ready to use.
- Made in the U.S.A.



Telescopic Drum Lift and Rotators

Model #	Connection Type	Base	Lift		Power Source	Turn Radius	Casters	Dimensions L x W x H	Capacity (lbs.)	Weight (lbs.)
			Ht.	Dist.						
F89529	Grip Connection	Counter-weighted	85"	73"	24V Battery	46"	(2) 5" Front Rigid, (1) 12" Rear Powered Wheel	79 x 38 x (59-94½)"	1,000	1,675

Counterweighted Floor Lock: Model # F89413A9, optional floor lock for counterweighted models

