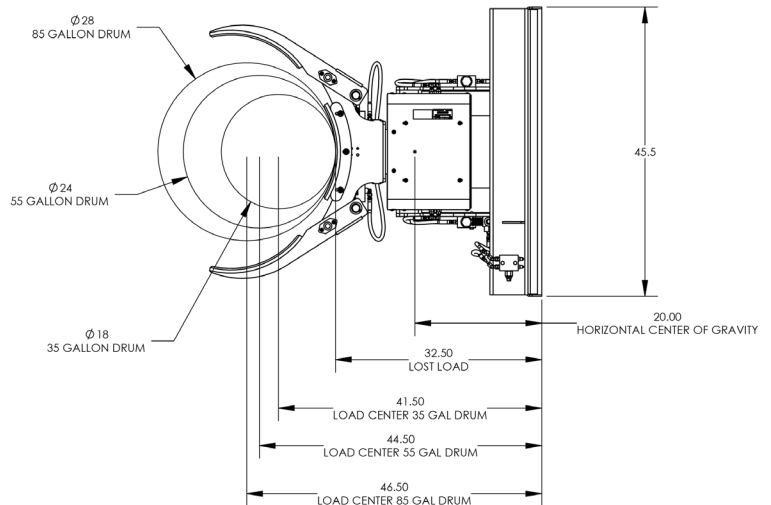
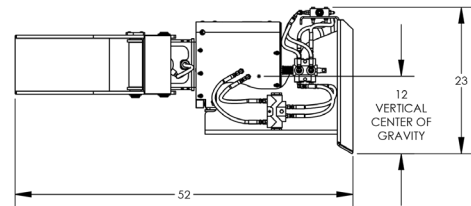


- Powered clamp and rotate (360° in both directions, continuously).
- Quickly and ergonomically transport, rotate, dump and store drums.
- Skid Steer Powered: using included quick connect couplers.
- Clamp/Unclamp: activate selector valve (via rope pull) on top of the frame.
- Rotate: use hydraulic lever (when rope is not being pulled).
- Hydraulic actuated jaws, with adjustable pressure gauge.
- Variable speed control.
- Heavy gauge steel construction.
- Premium powder coat paint finish.
- Ships fully assembled, ready to use.
- Made in the U.S.A.



Skid-Steer Attachment

Model #	Drum Capabilities			Power Source	Rotate Speed	Dimensions L x W x H	Capacity (lbs.)	Weight (lbs.)
	Type	Gallons	Diameter					
F89698	Steel, Plastic, Fiber	30/55/85	18 - 28"	Skid Steer	6 rpm	52 x 46 x 21"	2,000	625

