



BISON
LIFTING EQUIPMENT

LOW HEADROOM TROLLEYS

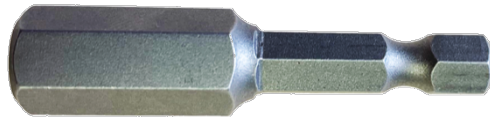


CHOOSE FROM THE RANGE OF BISON LOW HEADROOM TROLLEYS. **MINIMIZE THE LOST HEADROOM** BETWEEN THE BEAM FLANGE & THE TROLLEY SUSPENSION POINT.

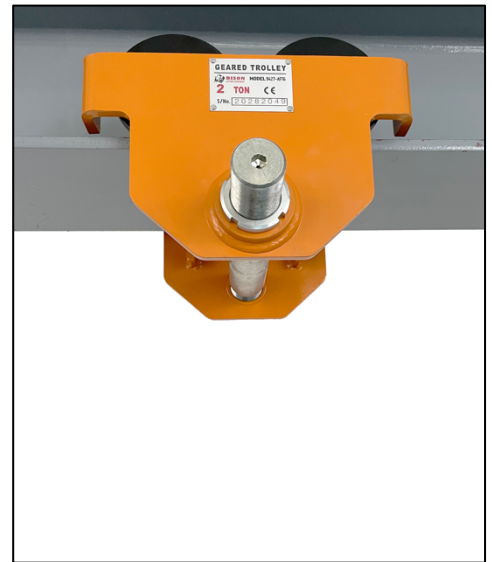


QUICK INSTALLATION

USING A DRILL & THE ALLEN BIT, SIMPLY TIGHTEN OR LOOSEN THE SHAFT TO FIT THE TROLLEY TO A BEAM.



INCLUDED



FITS WIDER FLANGE BEAMS

AVAILABLE IN PLAIN & GEARED TROLLEYS

QUICK INSTALL ALLEN BIT SHAFT

INCLUDES ALLEN BIT & SHAFT LOCKING NUTS

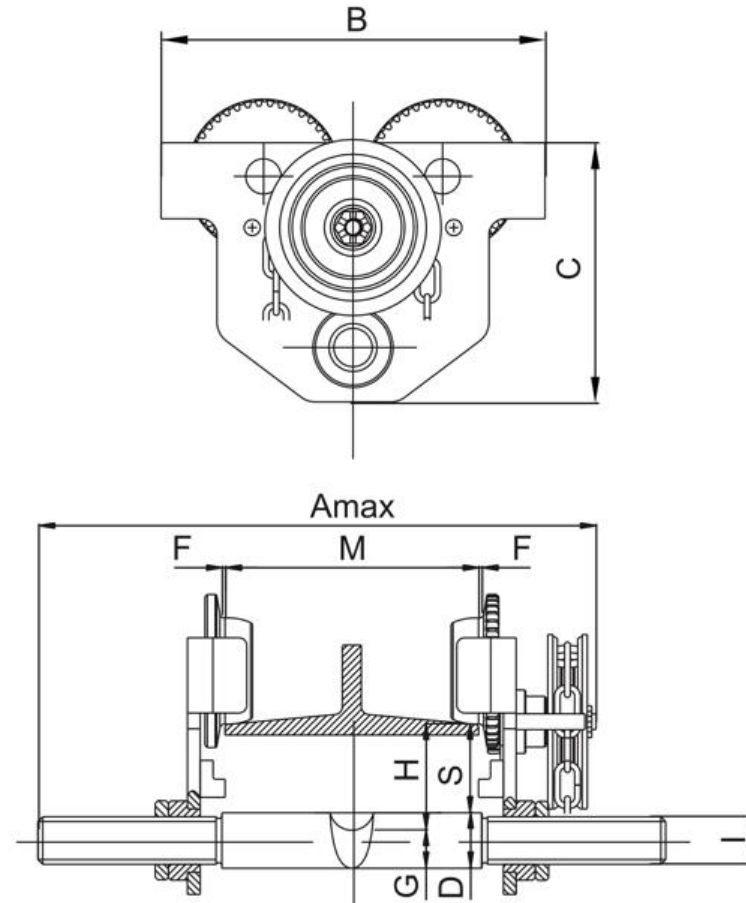
**1/2
TON**

**1
TON**

**2
TON**

**3
TON**

**5
TON**



| Product Code | Capacity | I-Beam Width (M) | A | B | C | D | G | H | S | F | I | Weight |
|--------------|----------|------------------|--------|--------|--------|--------|--------|--------|--------|-------------|-----|--------|
| | Tons | Inches | Inches | Inches | Inches | Inches | Inches | Inches | Inches | Inches | mm. | lbs. |
| GT005-ATP | 1/2 | 1.97 - 8.66 | 13.50 | 7.87 | 6.14 | 1.22 | 0.79 | 2.76 | 2.26 | 0.06 - 0.12 | M27 | 20.68 |
| GT010-ATP | 1 | 2.28 - 8.66 | 13.54 | 9.45 | 6.38 | 1.22 | 0.94 | 2.68 | 2.20 | 0.06 - 0.13 | M30 | 25.96 |
| GT020-ATP | 2 | 6.30 - 12.01 | 17.60 | 11.26 | 7.32 | 1.65 | 1.26 | 2.93 | 2.26 | 0.06 - 0.14 | M39 | 38.94 |
| GT030-ATP | 3 | 6.30 - 12.01 | 18.23 | 12.60 | 8.86 | 1.89 | 1.42 | 3.44 | 2.81 | 0.06 - 0.15 | M45 | 60.28 |
| GT050-ATP | 5 | 6.30 - 12.01 | 18.35 | 14.57 | 10.04 | 2.20 | 1.69 | 4.04 | 3.01 | 0.06 - 0.16 | M52 | 88.88 |

DIMENSION 'A' or 'Amax' is the total overall width of the trolley when fully extended.