

Lever Chain Hoist



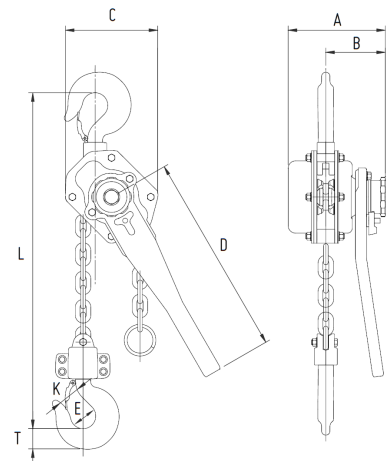
Lever Chain Hoists are specifically designed to *lift, pull and drag* in heavy duty construction and industrial areas, in both confined spaces and the open air. The mechanical advantage through leverage allows for small pulling force on the lever to convert in to high efficiency lift on the load chain. Only Grade 80, high quality, heat treated steel load chain is used to ensure reliable operation and long life service. Excellent performance and easy maintenance combined with small volume and light weight construction makes this Lever Hoist a preferred tool. Lever Hoists come complete with load chain, safety hooks top and bottom, a durable finish and a certificate of load testing.

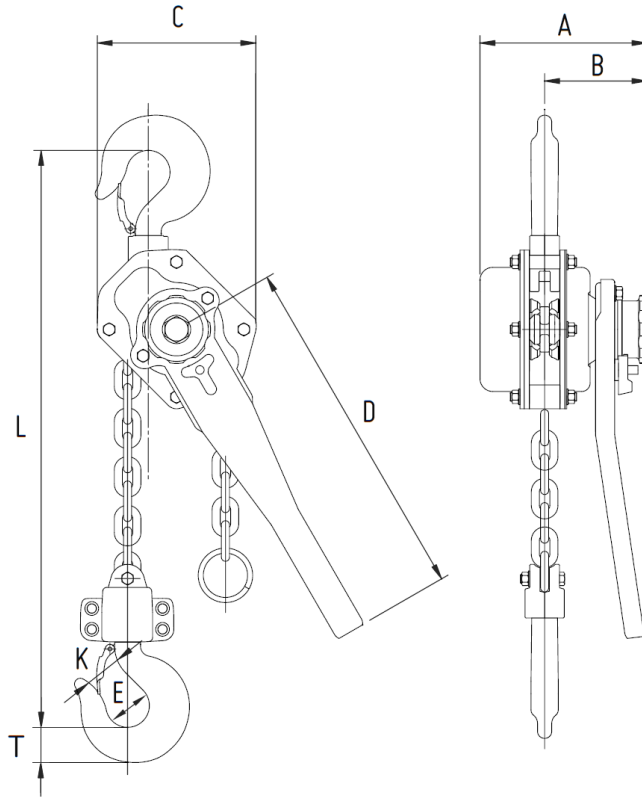


Product Code	Capacity	Headroom (L)	A	B	C	D	E	K	T
	lbs.	inches	inches	inches	inches	inches	inches	inches	inches
LH075-10	3/4T	12.6	5.83	3.54	5.35	11.02	1.57	1.06	0.8
LH075-20	3/4T	12.6	5.83	3.54	5.35	11.02	1.57	1.06	0.8
LH15-10	1.5T	14.96	6.77	3.86	6.3	16.14	1.73	1.34	1.14
LH15-20	1.5T	14.96	6.77	3.86	6.3	16.14	1.73	1.34	1.14
LH30-10	3T	18.9	7.87	4.53	7.09	16.14	1.97	1.5	1.73
LH30-20	3T	18.9	7.87	4.53	7.09	16.14	1.97	1.5	1.73
LH60-10	6T	23.62	7.87	4.53	9.25	16.14	2.52	1.89	2.09
LH60-20	6T	23.62	7.87	4.53	9.25	16.14	2.52	1.89	2.09

Product Code	Capacity	Standard Lift	Load Chain Ø x Chain Fall Lines	Net Weight
	lbs.	feet	mm	lbs.
LH075-10	3/4T	10	Ø 6 x 1	18
LH075-20	3/4T	20	Ø 6 x 1	23
LH15-10	1.5T	10	Ø 7.1 x 1	26
LH15-20	1.5T	20	Ø 7.1 x 1	33
LH30-10	3T	10	Ø 10 x 1	46
LH30-20	3T	20	Ø 10 x 1	60
LH60-10	6T	10	Ø 10 x 2	77
LH60-20	6T	20	Ø 10 x 2	106

- Complies with ASME B30.21
- Automatic, double-pawl, braking system
- Grade 80, high-quality, heat treated, steel load chain
- Forged steel hooks
- Up to 6 Tons
- Standard 10' or 20' lift
- Zinc Chain and Custom Lift Heights Available Upon Request





Product Code	Capacity	Standard Lift	Load Chain Ø	Chain Fall Lines	Headroom (L)	A	B	C	D	E	K	T	Net Weight
	Tons	feet	mm		inches	inches	inches	inches	inches	inches	inches	inches	
LH075-10	3/4T	10	Ø 6	1	12.6	5.83	3.54	5.35	11.02	1.57	1.06	0.8	18
LH075-20	3/4T	20	Ø 6	1	12.6	5.83	3.54	5.35	11.02	1.57	1.06	0.8	23
LH15-10	1.5T	10	Ø 7.1	1	14.96	6.77	3.86	6.3	16.14	1.73	1.34	1.14	26
LH15-20	1.5T	20	Ø 7.1	1	14.96	6.77	3.86	6.3	16.14	1.73	1.34	1.14	33
LH30-10	3T	10	Ø 10	1	18.9	7.87	4.53	7.09	16.14	1.97	1.5	1.73	46
LH30-20	3T	20	Ø 10	1	18.9	7.87	4.53	7.09	16.14	1.97	1.5	1.73	60
LH60-10	6T	10	Ø 10	2	23.62	7.87	4.53	9.25	16.14	2.52	1.89	2.09	77
LH60-20	6T	20	Ø 10	2	23.62	7.87	4.53	9.25	16.14	2.52	1.89	2.09	106