

FRAME MATERIAL: ALUMINUM  
 WHEELS: PNEUMATIC  
 BRAKE: NO  
 LOAD CAPACITY: 1,000 LBS.  
 WEIGHT: 40 LBS.  
 WIDTH: 26"  
 DEPTH: 18"  
 HEIGHT: 52"  
 LOCKING CHIME HOOK "L" AS SUFFIX  
 FIBER CHIME HOOK "F" AS SUFFIX  
 CABLE CHIME HOOK "C" AS SUFFIX  
 PLASTIC CHIME HOOK "P" AS SUFFIX

**PROPRIETARY AND CONFIDENTIAL**

THE INFORMATION CONTAINED IN THIS DRAWING IS THE SOLE PROPERTY OF VALLEY CRAFT. ANY REPRODUCTION IN PART OR AS A WHOLE WITHOUT THE WRITTEN PERMISSION OF VALLEY CRAFT IS PROHIBITED.

**UNLESS OTHERWISE SPECIFIED:**

DECIMALS  
 2 PLACES ±0.01  
 3 PLACES ±0.005  
 ANGLE ±1°

**GRIND/SAND SHARP EDGES .015 MAX DOES NOT APPLY TO DRILLED HOLE DIA.**



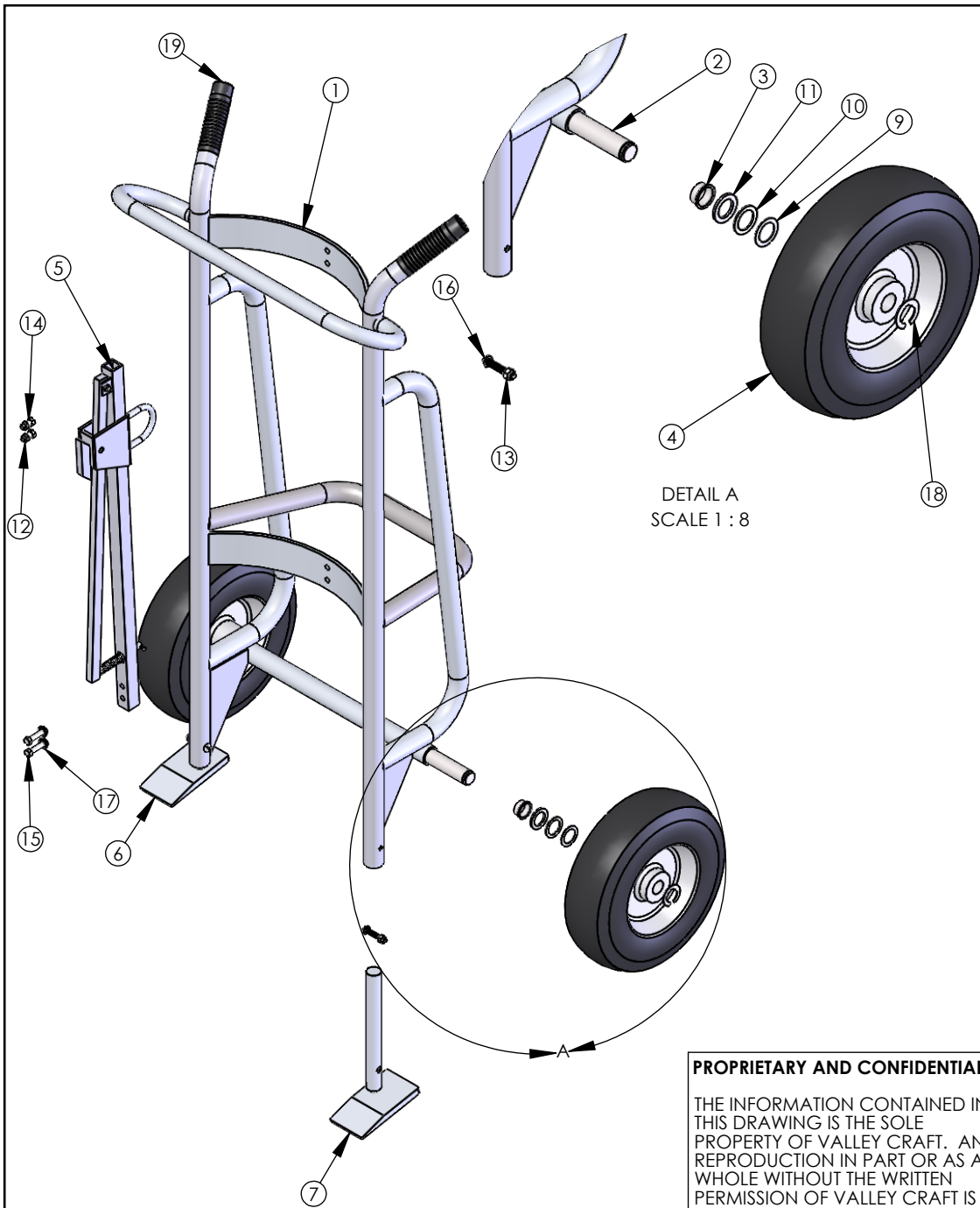
**TITLE:** TRK-DRUM/600AA

B	-	CREATED	DN	10/25/2021
CHG.	E.C.O.	DESCRIPTION / WAS	BY	DATE

**ALL ANGLES ARE 90° UNLESS SPECIFIED**

	NAME	DATE
DRAWN	DN	04/25/2019
CHECKED		
ENG APPR.		

SIZE	<b>PART NO.</b>	F81500A0
<b>A</b>	<b>MATL:</b>	Material <not specified>
SCALE: 1:16	WEIGHT: 55.24	SHEET 1 OF 3



DETAIL A  
SCALE 1 : 8

ITEM NO.	PART NUMBER	DESCRIPTION	QTY.
1	F60503A1	F W/600AA	1
2	F30041A3	AXLE-FRT/650A	1
3	F57260A9	BRG-STL FLG 1.01X1.05X.5	2
4	Z30681A7	WHL-12 AIR	2
5	F60063B1/R60063	C H ASSY-A/STD -- CS, use R60063 for RPMTS	1
5	F62771A2	CH ASSY-A/CABLE	1
5	F60950A9	CH ASSY-A/FIBER	1
5	F60947A5	CH ASSY-S/LOCKING	1
5	F60945A7	CH ASSYS/PLASTIC	1
6	F60065A1/R60065	SHOE WLDMT-RH A/600A -- CS, use R60065 for RPMTS	1
7	F60066A0/R60066	SHOE WLDMT-LH A/600A -- CS, use R60066 for RPMTS	1
9	Z10011A5	BUSH-MACH 1x18GAx1-1/2 OD	2
10	Z10012A4	BUSH-MACH 1x14GAx1-1/2 OD	2
11	Z10013A3	BUSH-MACH 1x10GAx1-1/2 OD	2
12	Z10036A6	NUT-HEX KEPS 5/16-18	4
13	Z10045A5	NUT-NYL NE 5/16-18	2
14	Z10122A1	S-HHC 5/16-18X3/4	2
15	Z10125A8	S-HHC 5/16-18X1-1/2	2
16	Z10184A6	S-RHM 5/16-18X1-3/4	2
17	Z10200A6	WASHER-1/4 FLAT USS	2
18	Z10223A9	RING-RTNG 1	2
19	Z50085A2	GRIP-HDL 1-1/4" BLK	2

**PROPRIETARY AND CONFIDENTIAL**

THE INFORMATION CONTAINED IN THIS DRAWING IS THE SOLE PROPERTY OF VALLEY CRAFT. ANY REPRODUCTION IN PART OR AS A WHOLE WITHOUT THE WRITTEN PERMISSION OF VALLEY CRAFT IS PROHIBITED.

**UNLESS OTHERWISE SPECIFIED:**

DECIMALS  
2 PLACES ±0.01  
3 PLACES ±0.005  
ANGLE ±1°

**GRIND/SAND SHARP EDGES .015 MAX DOES NOT APPLY TO DRILLED HOLE DIA.**



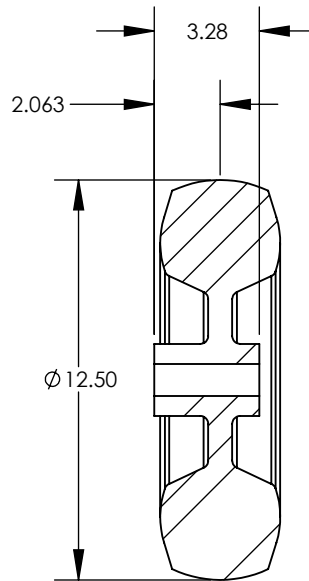
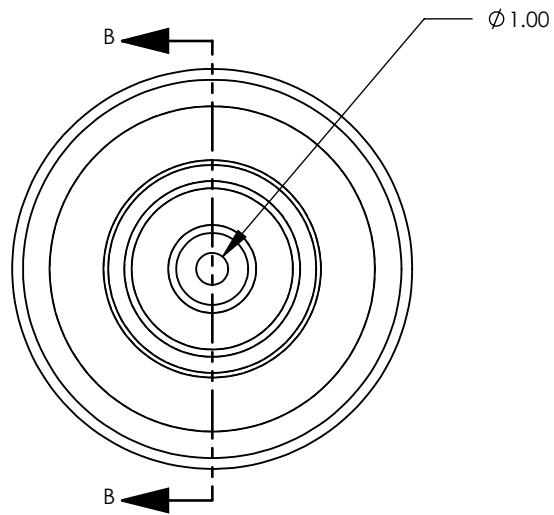
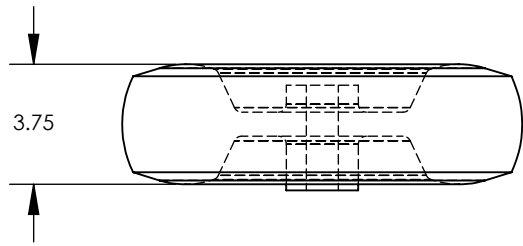
2001 South Hwy. 61, Lake City, MN 55041-9555, U.S.A.

**TITLE:** TRK-DRUM/600AA

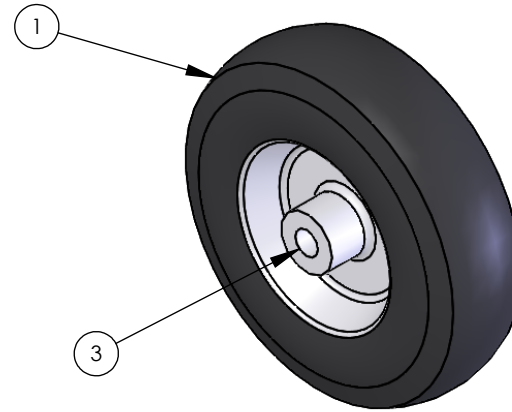
B	-	CREATED	DN	10/25/2021
CHG.	E.C.O.	DESCRIPTION / WAS	BY	DATE

**ALL ANGLES ARE 90° UNLESS SPECIFIED**

	NAME	DATE	SIZE	<b>PART NO.</b>
DRAWN	DN	04/25/2019	A	F81500A0
CHECKED				<b>MATL:</b> Material <not specified>
ENG APPR.			SCALE: 1:24	WEIGHT: 55.24 SHEET 2 OF 3



SECTION B-B



1. TIRE SIZE: 12 - 1/2 X 3 - 3/4 (4.1/3.5 - 6)
2. TREAD PATTERN: SAWTOOTH
3. WHEEL MATERIAL: RUBBER
4. LOAD CAP./WHEEL: LOAD RANGE "B"
5. WEIGHT/WHEEL: 7#
6. OVERALL HUB WIDTH: 3.28
7. OFFSET CENTER OF WHEEL TO END OF HUB: 2 - 1/16
8. HUB MATERIAL: STEEL
9. BEARING TYPE: BALL
10. BORE OR AXLE SIZE: 1
11. HUB COLOR: SILVER
12. GREASE ZERK: NO
13. VENDOR: HOOSIER #869H34-82

Item Number	Part Number	Description	Qty.
1	Z30007A9	TIRE-AIR 12	1
2	Z30008A8	TUBE-AIR 12	1
3	Z30002A4	BEARING-FLG 1/RPMT	2

B		DRAWN FROM CADKEY	PBS	1/08
CHG.	E.C.O.	DESCRIPTION / WAS	BY	DATE

**PROPRIETARY AND CONFIDENTIAL**

THE INFORMATION CONTAINED IN THIS DRAWING IS THE SOLE PROPERTY OF VALLEY CRAFT. ANY REPRODUCTION IN PART OR AS A WHOLE WITHOUT THE WRITTEN PERMISSION OF VALLEY CRAFT IS PROHIBITED.

**ALL ANGLES ARE 90° UNLESS SPECIFIED**

**UNLESS OTHERWISE SPECIFIED:**

DECIMALS  
2 PLACES ±0.01  
3 PLACES ±0.005  
ANGLE ±1°

**GRIND/SAND SHARP EDGES .015 MAX DOES NOT APPLY TO DRILLED HOLE DIA.**

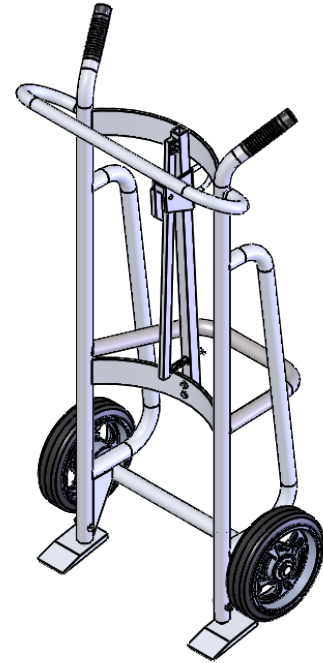
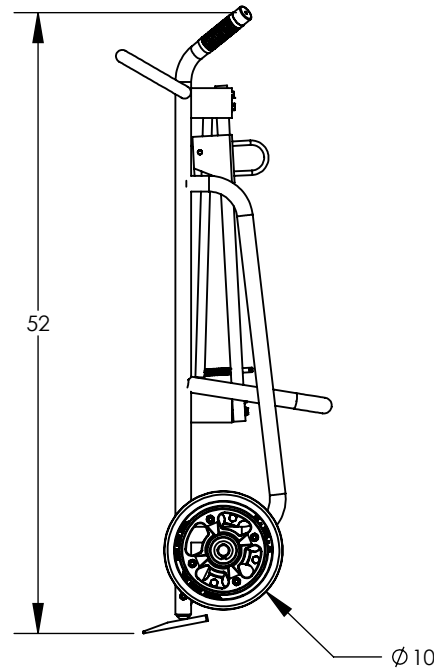
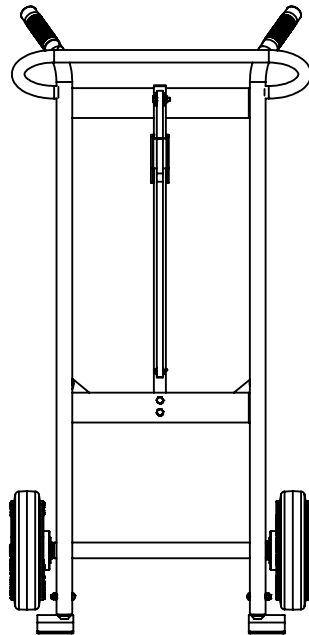
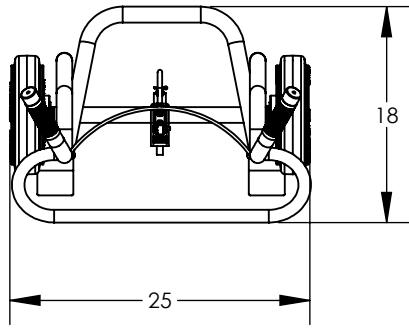
	NAME	DATE
DRAWN	salvopb	1/08
CHECKED		
ENG APPR.		



**TITLE:** WHL-12 AIR

**SIZE:** A **PART NO.:** Z30681A7

**MATL:** SCALE: 1:6 WEIGHT: 12.53 SHEET 3 OF 3



FRAME MATERIAL: ALUMINUM  
 WHEELS: SOLID RUBBER  
 BRAKE: NO  
 LOAD CAPACITY: 1,000 LBS.  
 WEIGHT: 50 LBS.  
 WIDTH: 25"  
 DEPTH: 18"  
 HEIGHT: 52"  
 LOCKING CHIME HOOK "L" AS SUFFIX  
 FIBER CHIME HOOK "F" AS SUFFIX  
 CABLE CHIME HOOK "C" AS SUFFIX  
 PLASTIC CHIME HOOK "P" AS SUFFIX

**PROPRIETARY AND CONFIDENTIAL**

THE INFORMATION CONTAINED IN THIS DRAWING IS THE SOLE PROPERTY OF VALLEY CRAFT. ANY REPRODUCTION IN PART OR AS A WHOLE WITHOUT THE WRITTEN PERMISSION OF VALLEY CRAFT IS PROHIBITED.

**UNLESS OTHERWISE SPECIFIED:**

DECIMALS  
 2 PLACES  $\pm 0.01$   
 3 PLACES  $\pm 0.005$   
 ANGLE  $\pm 1^\circ$

**GRIND/SAND SHARP EDGES .015 MAX DOES NOT APPLY TO DRILLED HOLE DIA.**



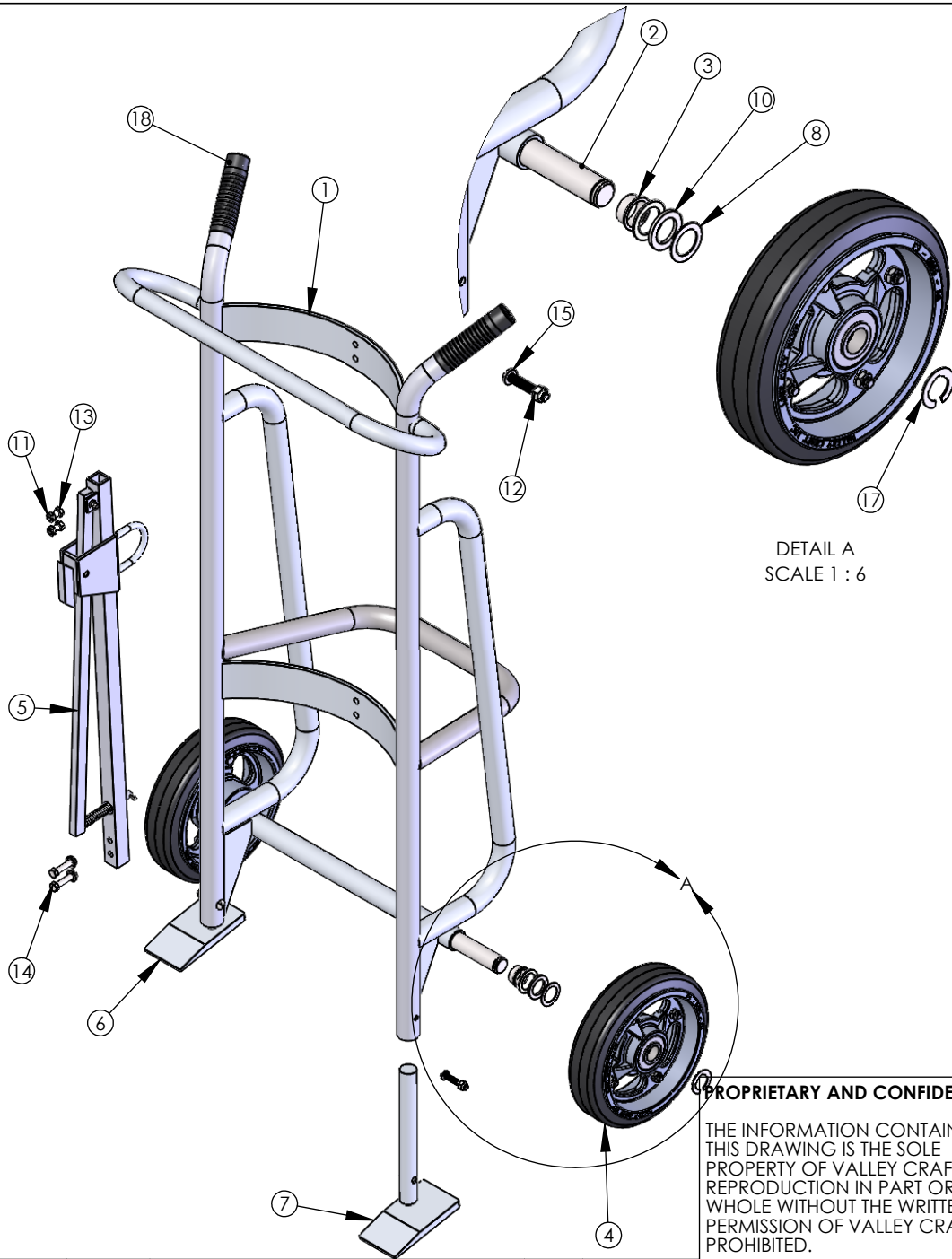
**TITLE:** TRK-DRUM/600AS-M

B	-	CREATED	DN	09/26/2022
CHG.	E.C.O.	DESCRIPTION / WAS	BY	DATE

**ALL ANGLES ARE 90° UNLESS SPECIFIED**

	NAME	DATE
DRAWN	DN	04/25/2019
CHECKED		
ENG APPR.		

SIZE	<b>PART NO.</b>
A	F81625A0
	<b>MATL:</b> Material <not specified>
SCALE: 1:16	WEIGHT: 44.36 SHEET 1 OF 3



DETAIL A  
SCALE 1 : 6

ITEM NO.	PART NUMBER	DESCRIPTION	QTY.
1	F60504A0	F W/600AS	1
2	F30041A3	AXLE-FRT/650A	1
3	F57260A9	BRG-STL FLG 1.01X1.05X.5	2
4	F60004A5	WHL-10 D/M	2
5	F60063B1/R60063	C H ASSY-A/STD -- CS, use R60063 for RPMTS	1
5	F62771A2	CH ASSY-A/CABLE	1
5	F60950A9	CH ASSY-A/FIBER	1
5	F60947A5	CH ASSY-S/LOCKING	1
5	F60945A7	CH ASSY-S/PLASTIC	1
6	F60065A1/R60065	SHOE WLDMT-RH A/600A -- CS, use R60065 for RPMTS	1
7	F60066A0/R60066	SHOE WLDMT-LH A/600A -- CS, use R60066 for RPMTS	1
8	Z10011A5	BUSH-MACH 1x18GAx1-1/2 OD	2
9	Z10012A4	BUSH-MACH 1x14GAx1-1/2 OD	2
10	Z10013A3	BUSH-MACH 1x10GAx1-1/2 OD	4
11	Z10036A6	NUT-HEX KEPS 5/16-18	4
12	Z10045A5	NUT-NYL NE 5/16-18	2
13	Z10122A1	S-HHC 5/16-18X3/4	2
14	Z10125A8	S-HHC 5/16-18X1-1/2	2
15	Z10184A6	S-RHM 5/16-18X1-3/4	2
16	Z10200A6	WASHER-1/4 FLAT USS	2
17	Z10223A9	RING-RTNG 1	2
18	Z50085A2	GRIP-HDL 1-1/4" BLK	2

**PROPRIETARY AND CONFIDENTIAL**

THE INFORMATION CONTAINED IN THIS DRAWING IS THE SOLE PROPERTY OF VALLEY CRAFT. ANY REPRODUCTION IN PART OR AS A WHOLE WITHOUT THE WRITTEN PERMISSION OF VALLEY CRAFT IS PROHIBITED.

**UNLESS OTHERWISE SPECIFIED:**

DECIMALS  
2 PLACES ±0.01  
3 PLACES ±0.005  
ANGLE ±1°

**GRIND/SAND SHARP EDGES .015 MAX DOES NOT APPLY TO DRILLED HOLE DIA.**

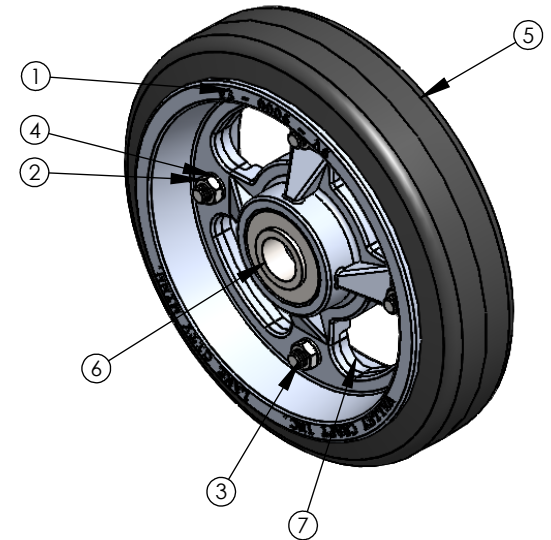
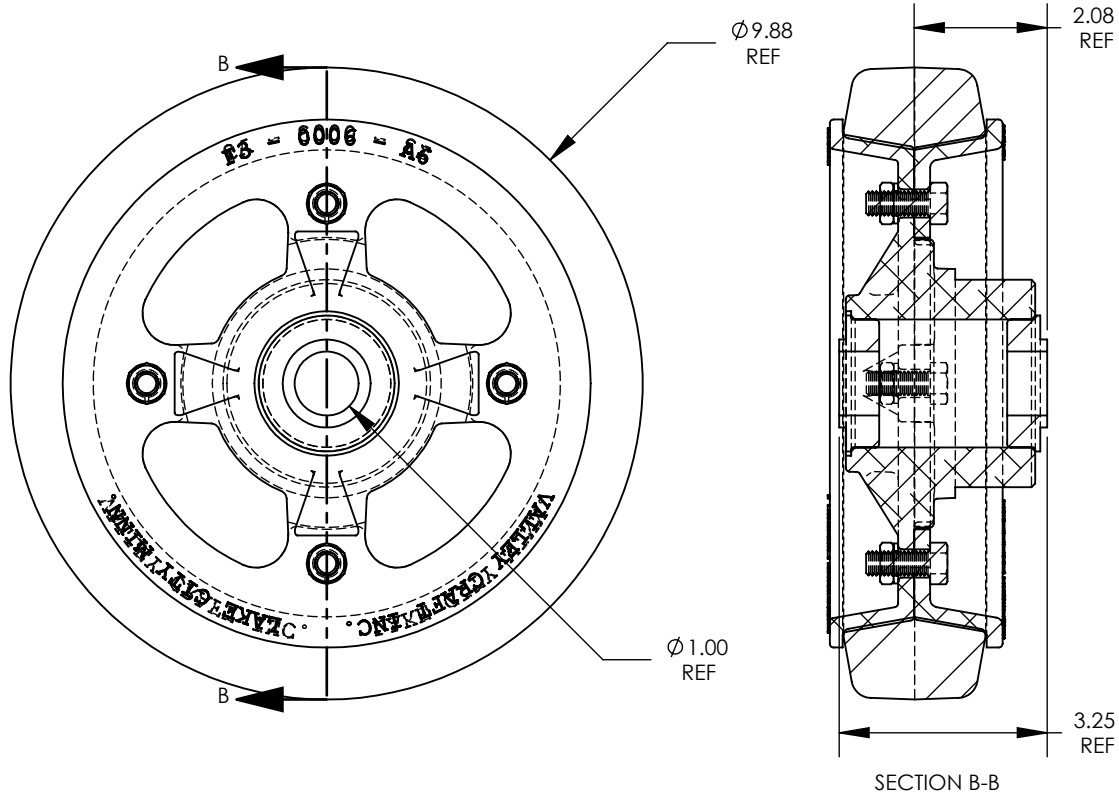


**TITLE:** TRK-DRUM/600AS-M

B	-	CREATED	DN	09/26/2022
CHG.	E.C.O.	DESCRIPTION / WAS	BY	DATE

**ALL ANGLES ARE 90° UNLESS SPECIFIED**

	NAME	DATE	SIZE	<b>PART NO.</b>
DRAWN	DN	04/25/2019	A	F81625A0
CHECKED				<b>MATL:</b> Material <not specified>
ENG APPR.			SCALE: 1:16	WEIGHT: 44.36 SHEET 2 OF 3



NOTES:

- $\triangle A$  : 10 X 2-1/2 TIRE SIZE
- $\triangle B$  : SMOOTH TREAD PATTERN
- $\triangle C$  : SOFT RUBBER WHEEL MATERIAL
- $\triangle D$  : 600# LOAD CAPACITY
- $\triangle E$  : 8.5# WEIGHT/WHEEL
- $\triangle F$  : ALUMINUM HUB MATERIAL
- $\triangle G$  : BALL BEARING TYPE
- $\triangle H$  : SILVER HUB COLOR

ITEM NO.	PART NUMBER	DESCRIPTION	QTY.
1	F30006A6	HUB-D/M 10X2.5	1
2	Z10026A8	NUT-HEX JAM 3/8-16ZP	4
3	Z10132A9	S-HHC 3/8-16X1	4
4	Z10214A0	WASHER-3/8 LOCK MD	4
5	Z30001A5	TIRE-HARD BASE D/M 10 X 2-1/2	1
6	Z30002A4	BRG-FLG 1/RPMT	2
7	Z30003A3	FLG-D/M 10X.5HD-10F	1

**PROPRIETARY AND CONFIDENTIAL**

THE INFORMATION CONTAINED IN THIS DRAWING IS THE SOLE PROPERTY OF VALLEY CRAFT. ANY REPRODUCTION IN PART OR AS A WHOLE WITHOUT THE WRITTEN PERMISSION OF VALLEY CRAFT IS PROHIBITED.

**UNLESS OTHERWISE SPECIFIED:**

DECIMALS  
2 PLACES  $\pm 0.01$   
3 PLACES  $\pm 0.005$   
ANGLE  $\pm 1^\circ$

**GRIND/SAND SHARP EDGES .015 MAX DOES NOT APPLY TO DRILLED HOLE DIA.**

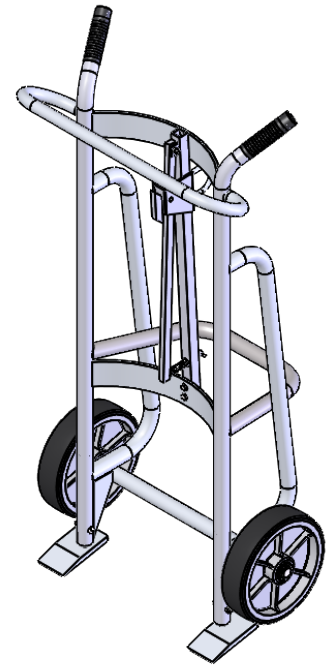
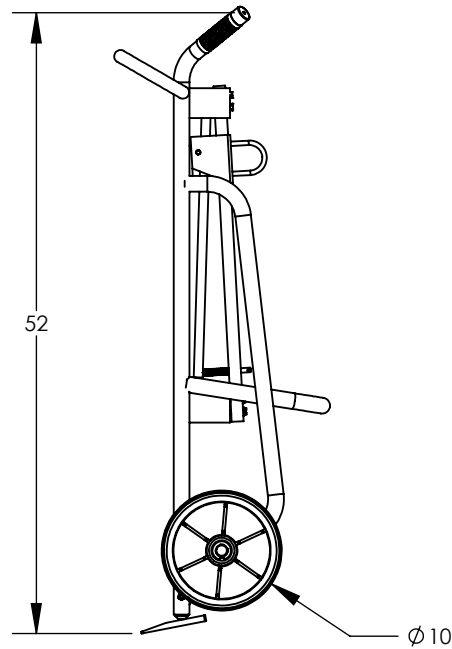
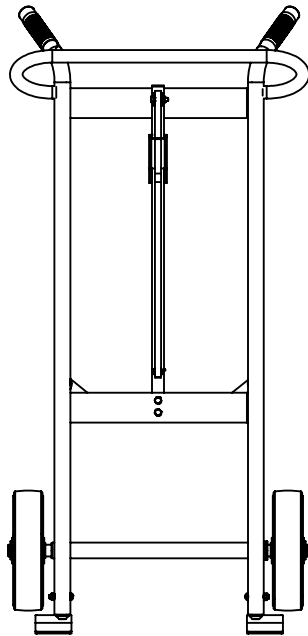
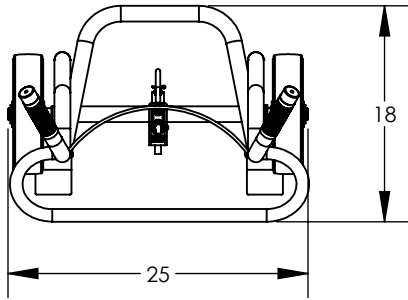


**TITLE:** WHL-10 D/M

SIZE	<b>PART NO.</b>
A	F60004A5
<b>MATL:</b>	
SCALE: 1:3	WEIGHT:
SHEET 3 OF 3	

A	-	DRAWN	JS	01/29/2009
CHG.	E.C.O.	DESCRIPTION / WAS	BY	DATE

**ALL ANGLES ARE 90° UNLESS SPECIFIED**



FRAME MATERIAL: ALUMINUM  
 WHEELS: MOLD-ON  
 BRAKE: NO  
 LOAD CAPACITY: 1,000 LBS.  
 WEIGHT: 55 LBS.  
 WIDTH: 25"  
 DEPTH: 18"  
 HEIGHT: 52"  
 LOCKING CHIME HOOK "L" AS SUFFIX  
 FIBER CHIME HOOK "F" AS SUFFIX  
 CABLE CHIME HOOK "C" AS SUFFIX  
 PLASTIC CHIME HOOK "P" AS SUFFIX

**PROPRIETARY AND CONFIDENTIAL**

THE INFORMATION CONTAINED IN THIS DRAWING IS THE SOLE PROPERTY OF VALLEY CRAFT. ANY REPRODUCTION IN PART OR AS A WHOLE WITHOUT THE WRITTEN PERMISSION OF VALLEY CRAFT IS PROHIBITED.

**UNLESS OTHERWISE SPECIFIED:**

DECIMALS  
 2 PLACES ±0.01  
 3 PLACES ±0.005  
 ANGLE ±1°

**GRIND/SAND SHARP EDGES .015 MAX DOES NOT APPLY TO DRILLED HOLE DIA.**



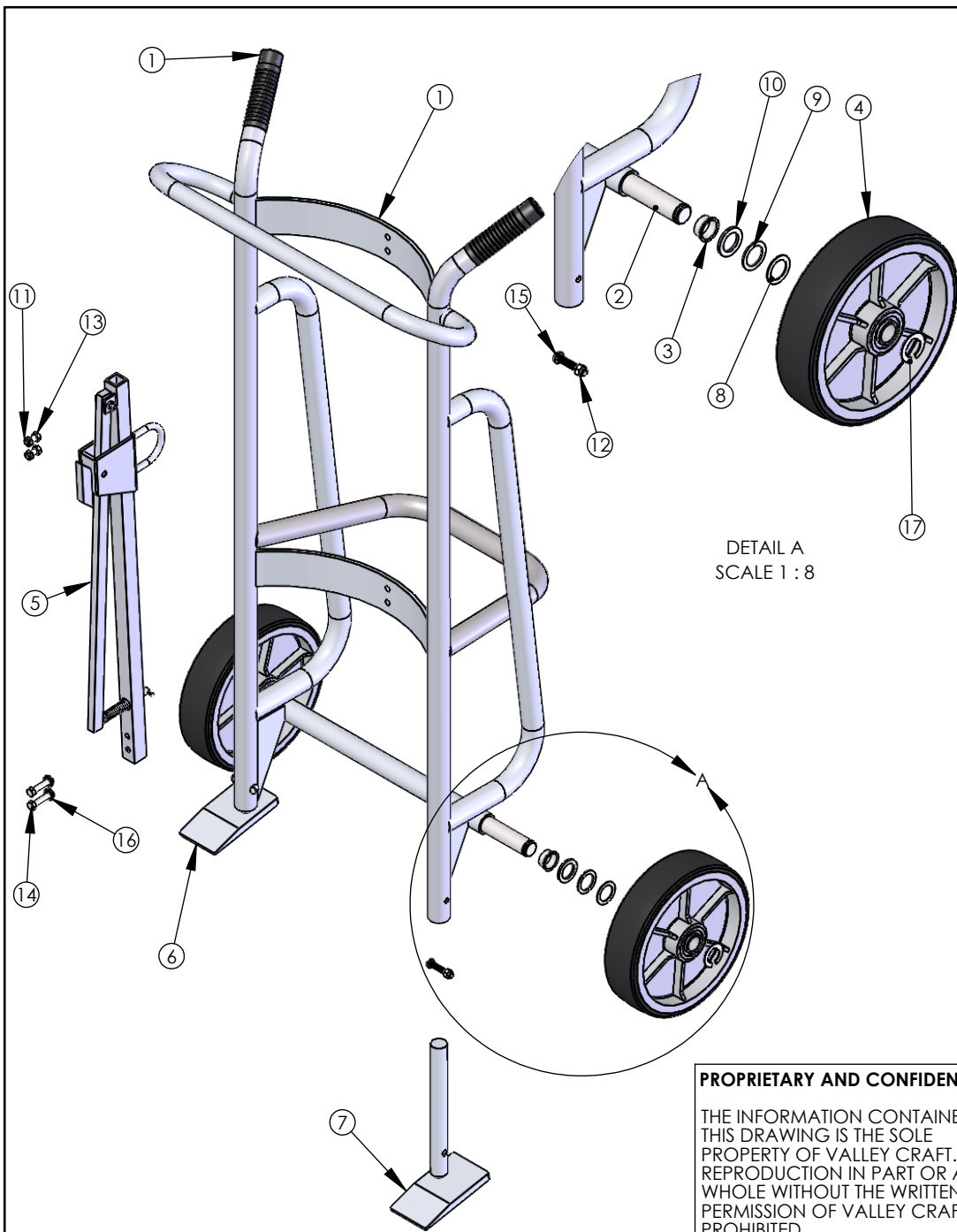
**TITLE:** obs use F81625A0 TRK-DRUM/600AS-M

B	-	CREATED	DN	04/24/2019
CHG.	E.C.O.	DESCRIPTION / WAS	BY	DATE

**ALL ANGLES ARE 90° UNLESS SPECIFIED**

	NAME	DATE
DRAWN	DN	04/24/2019
CHECKED		
ENG APPR.		

SIZE	<b>PART NO.</b>
A	F81770A3
	<b>MATL:</b> Material <not specified>
SCALE: 1:16	WEIGHT: 50.11 SHEET 1 OF 2



ITEM NO.	PART NUMBER	DESCRIPTION	QTY.
1	F60504A0	F W/600AS	1
2	F30041A3	AXLE-FRT/650A	1
3	F57260A9	BRG-STL FLG 1.01X1.05X.5	2
4	F60011A6	WHL-10 M/O	2
5	F60063B1/R60063	C H ASSY-A/STD -- CS, use R60063 for RPMTS	1
5	F62771A2	CH ASSY-A/CABLE	1
5	F60950A9	CH ASSY-A/FIBER	1
5	F60947A5	CH ASSY-S/ LOCKING	1
5	F60945A7	CH ASSY-S/ PLASTIC	1
6	F60065A1/R60065	SHOE WLDMT-RH A/600A -- CS, use R60065 for RPMTS	1
7	F60066A0/R60066	SHOE WLDMT-LH A/600A -- CS, use R60066 for RPMTS	1
8	Z10011A5	BUSH-MACH 1x18GAx1-1/2 OD	2
9	Z10012A4	BUSH-MACH 1x14GAx1-1/2 OD	2
10	Z10013A3	BUSH-MACH 1x10GAx1-1/2 OD	8
11	Z10036A6	NUT-HEX KEPS 5/16-18	4
12	Z10045A5	NUT-NYL NE 5/16-18	2
13	Z10122A1	S-HHC 5/16-18X3/4	2
14	Z10125A8	S-HHC 5/16-18X1-1/2	2
15	Z10184A6	S-RHM 5/16-18X1-3/4	2
16	Z10200A6	WASHER-1/4 FLAT USS	2
17	Z10223A9	RING-RTNG 1	2
18	Z50085A2	GRIP-HDL 1-1/4" BLK	2

DETAIL A  
SCALE 1 : 8

**PROPRIETARY AND CONFIDENTIAL**  
 THE INFORMATION CONTAINED IN THIS DRAWING IS THE SOLE PROPERTY OF VALLEY CRAFT. ANY REPRODUCTION IN PART OR AS A WHOLE WITHOUT THE WRITTEN PERMISSION OF VALLEY CRAFT IS PROHIBITED.

**UNLESS OTHERWISE SPECIFIED:**  
 DECIMALS  
 2 PLACES ±0.01  
 3 PLACES ±0.005  
 ANGLE ±1°  
 GRIND/SAND SHARP EDGES .015 MAX  
 DOES NOT APPLY TO DRILLED HOLE DIA.



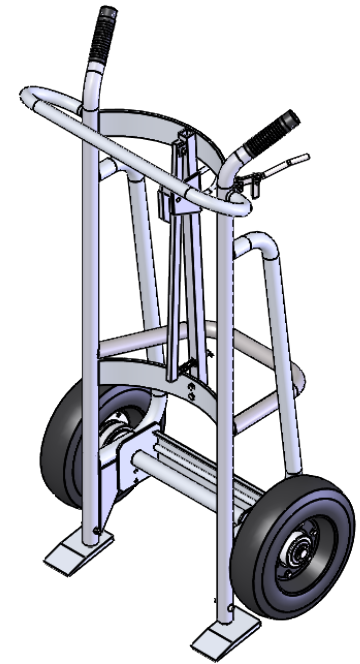
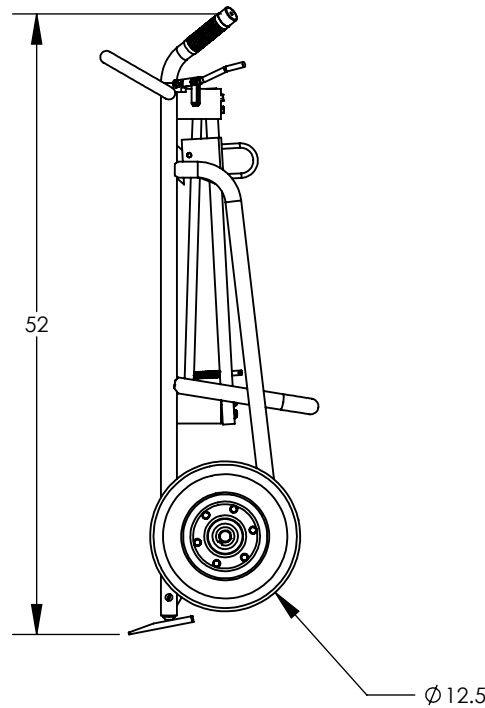
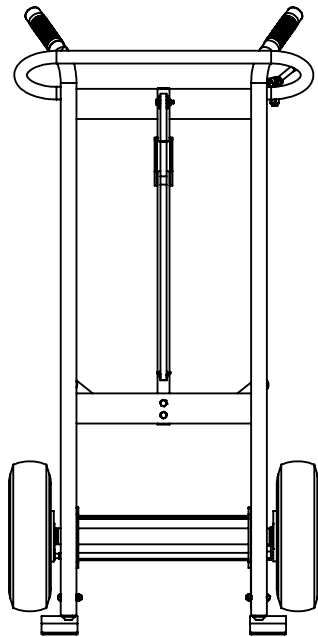
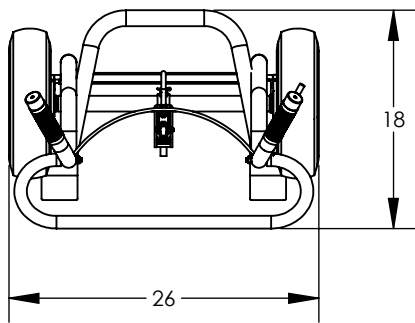
2001 South Hwy. 61, Lake City, MN 55041-9555, U.S.A.  
**TITLE:** obs use F81625A0 TRK-DRUM/600AS-M

B	-	CREATED	DN	04/24/2019
CHG.	E.C.O.	DESCRIPTION / WAS	BY	DATE

**ALL ANGLES ARE 90°  
UNLESS SPECIFIED**

	NAME	DATE	SIZE	<b>PART NO.</b>
DRAWN	DN	04/24/2019	A	F81770A3
CHECKED				<b>MATL:</b> Material <not specified>
ENG APPR.			SCALE: 1:16	WEIGHT: 50.11 SHEET 2 OF 2





FRAME MATERIAL: ALUMINUM  
 WHEELS: PNEUMATIC  
 BRAKE: YES  
 LOAD CAPACITY: 1,000 LBS.  
 WEIGHT: 46 LBS.  
 WIDTH: 26"  
 DEPTH: 18"  
 HEIGHT: 52"  
 LOCKING CHIME HOOK "L" AS SUFFIX  
 FIBER CHIME HOOK "F" AS SUFFIX  
 CABLE CHIME HOOK "C" AS SUFFIX  
 PLASTIC CHIME HOOK "P" AS SUFFIX

**PROPRIETARY AND CONFIDENTIAL**

THE INFORMATION CONTAINED IN THIS DRAWING IS THE SOLE PROPERTY OF VALLEY CRAFT. ANY REPRODUCTION IN PART OR AS A WHOLE WITHOUT THE WRITTEN PERMISSION OF VALLEY CRAFT IS PROHIBITED.

**UNLESS OTHERWISE SPECIFIED:**

DECIMALS  
 2 PLACES ±0.01  
 3 PLACES ±0.005  
 ANGLE ±1°

**GRIND/SAND SHARP EDGES .015 MAX DOES NOT APPLY TO DRILLED HOLE DIA.**



**TITLE:** TRK-DRUM/625AA

**SIZE PART NO.** A F81925A7

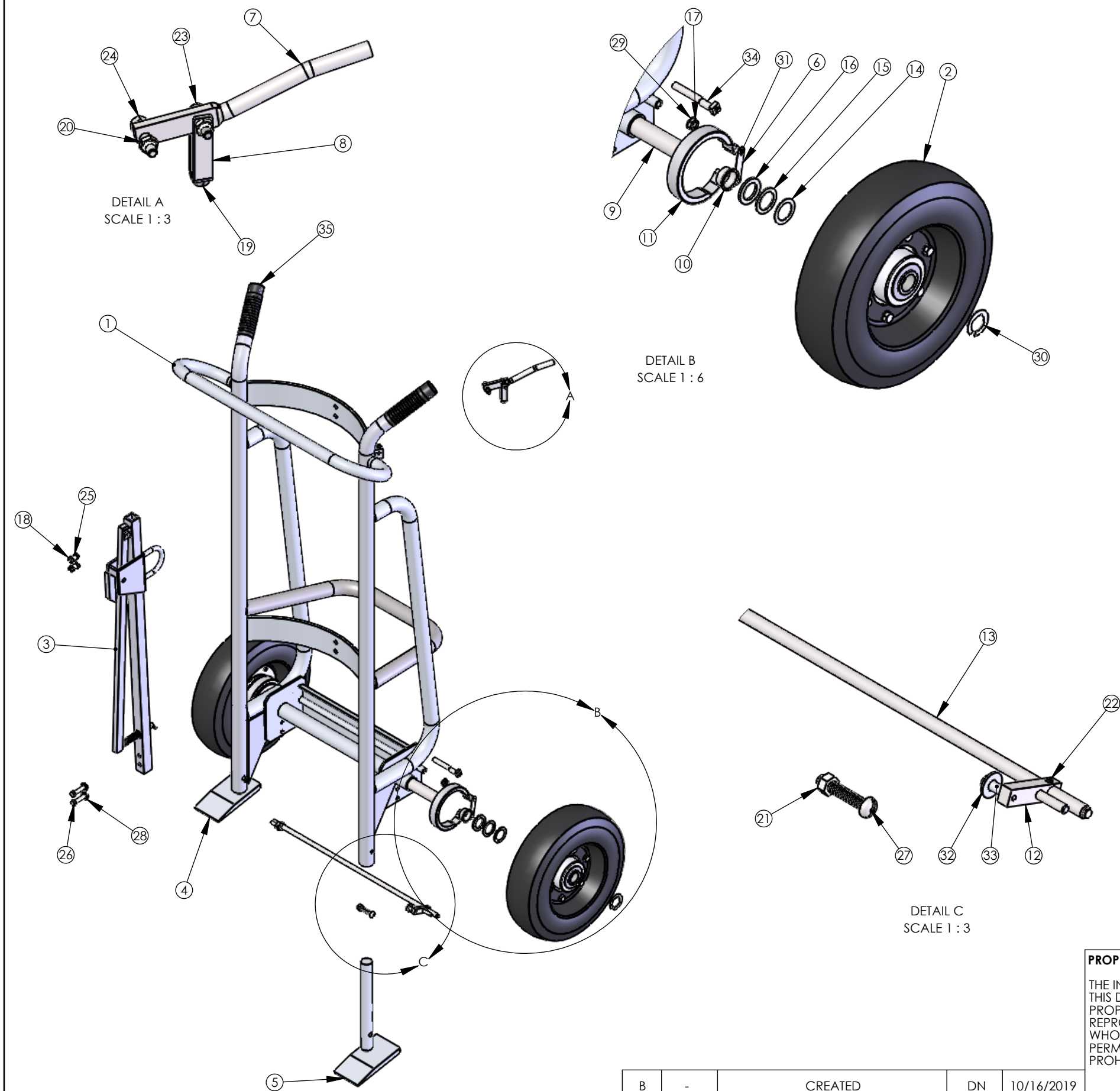
**MATL:** Material <not specified>

**SCALE:** 1:16 **WEIGHT:** 60.43 **SHEET 1 OF 3**

B	-	CREATED	DN	10/16/2019
CHG.	E.C.O.	DESCRIPTION / WAS	BY	DATE

**ALL ANGLES ARE 90° UNLESS SPECIFIED**

Not Modeled: F60207A0 - BRAKE CABLE ASSY 37.62 Qty. 1



ITEM NO.	PART NUMBER	DESCRIPTION	QTY.
1	F60505A9	F W/625AA	1
2	F60032A1	WHL-12 AIR BRK	2
3	F60063B1/R60063	C H ASSY-A/STD -- CS, use R60063 for RPMTS	1
3	F62771A2	CH ASSY-A/CABLE	1
3	F60950A9	CH ASSY-A/ FIBER	1
3	F60947A5	CH ASSY-S/ LOCKING	1
3	F60945A7	CH ASSY-S/ PLASTIC	1
4	F60065A1/R60065	SHOE WLDMT-RH A/600A -- CS, use R60065 for RPMTS	1
5	F60066A0/R60066	SHOE WLDMT-LH A/600A -- CS, use R60066 for RPMTS	1
6	F30012A8	LINK-CONN/825	2
7	F30013A7	HDL-BRK/825	1
8	F30014A6	CLEVIS-BRK CABLE	1
9	F30041A3	AXLE-FRT/650A	1
10	F57260A9	BRG-STL FLG 1.01X1.05X.5	2
11	F62177A2	BRK BAND ASSY	2
12	F68656A4	BRK ROD PIN WLDMT	1
13	F68891A9	BRK ROD WLDMT-20.63	1
14	Z10011A5	BUSH-MACH 1x18Gax1-1/2 OD	2
15	Z10012A4	BUSH-MACH 1x14Gax1-1/2 OD	2
16	Z10013A3	BUSH-MACH 1x10Gax1-1/2 OD	2
17	Z10030A2	NUT-HEX JAM 3/8-24	2
18	Z10036A6	NUT-HEX KEPS 5/16-18	4
19	Z10041A9	NUT-HEX MACH #10-32	1
20	Z10043A7	NUT-NYL NE 1/4-20	2
21	Z10045A5	NUT-NYL NE 5/16-18	2
22	Z10069A6	PIN-SPG 3/16X5/8	1
23	Z10112A3	S-HHC 1/4-20X1	1
24	Z10113A2	S-HHC 1/4-20X1-1/4	1
25	Z10122A1	S-HHC 5/16-18X3/4	2
26	Z10125A8	S-HHC 5/16-18X1-1/2	2
27	Z10184A6	S-RHM 5/16-18X1-3/4	2
28	Z10200A6	WASHER-1/4 FLAT USS	2
29	Z10209A7	WASHER-3/8 LOCK INT TOOTH	2
30	Z10223A9	RING-RTNG 1	2
31	Z10231A9	RING-RTNG 1/4	4
32	Z10602A2	WASHER-1/4 FLAT SAE	1
33	Z10805A2	BOLT-STRIPPER 1/4X1/2	1
34	Z30012A2	ECC-BRK SHORT	2
35	Z50085A2	GRIP-HDL 1-1/4" BLK	2

**PROPRIETARY AND CONFIDENTIAL**  
 THE INFORMATION CONTAINED IN THIS DRAWING IS THE SOLE PROPERTY OF VALLEY CRAFT. ANY REPRODUCTION IN PART OR AS A WHOLE WITHOUT THE WRITTEN PERMISSION OF VALLEY CRAFT IS PROHIBITED.

**UNLESS OTHERWISE SPECIFIED:**  
 DECIMALS  
 2 PLACES ±0.01  
 3 PLACES ±0.005  
 ANGLE ±1°  
 GRIND/SAND SHARP EDGES .015 MAX DOES NOT APPLY TO DRILLED HOLE DIA.

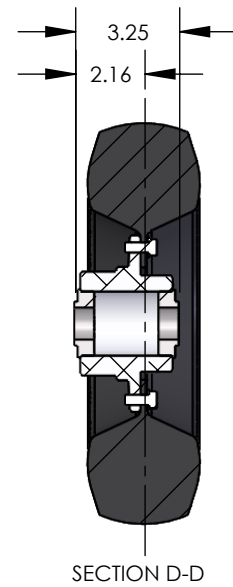
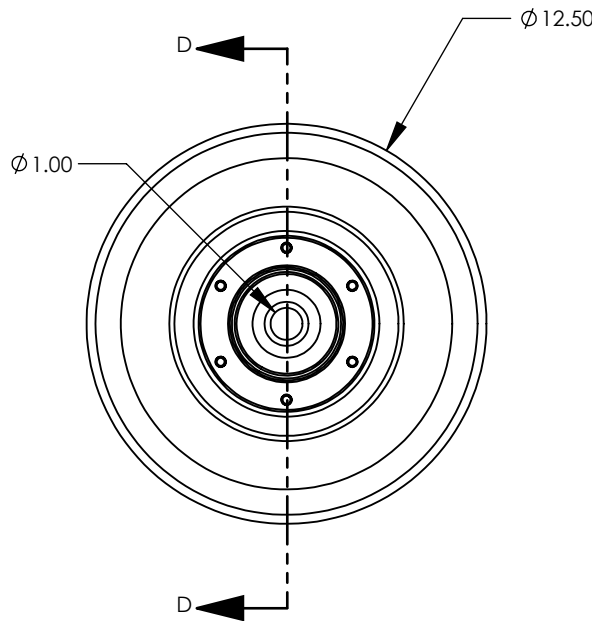
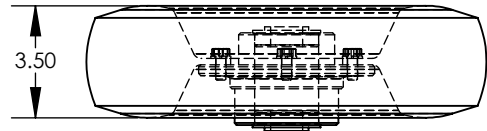
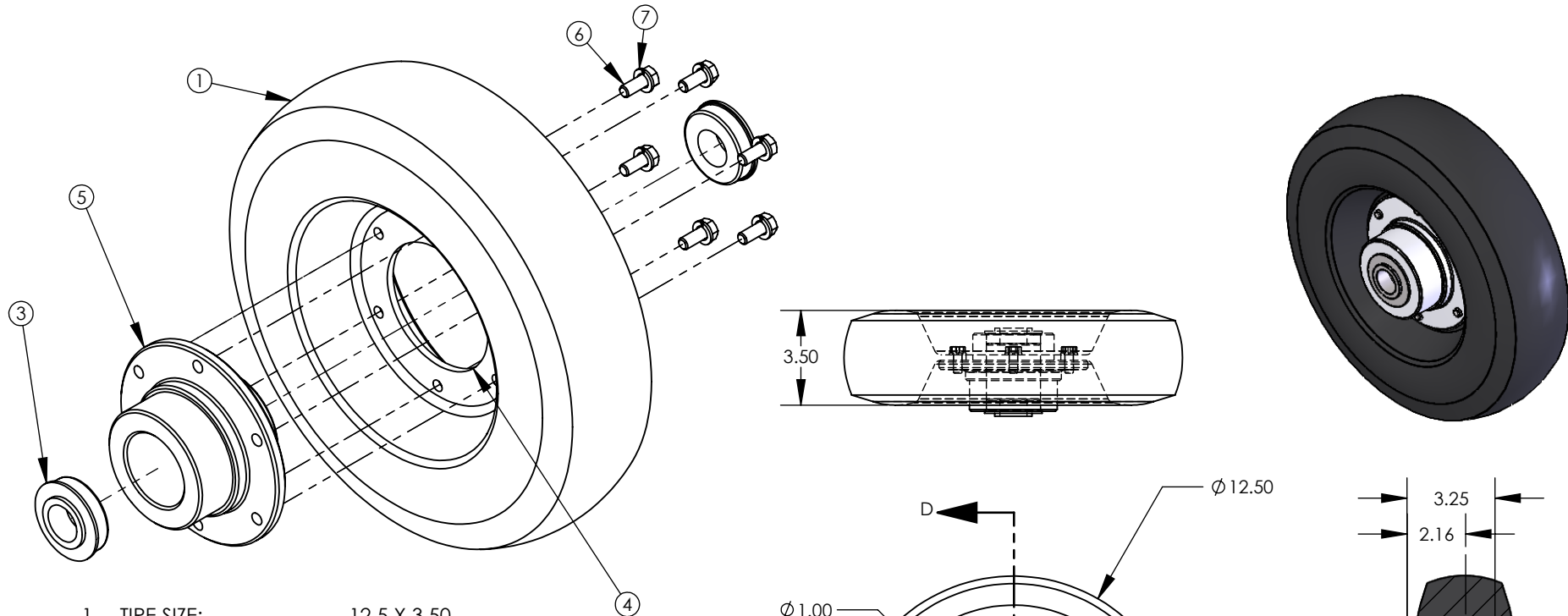
**VALLEYCRAFT®**  
 2001 South Hwy. 61, Lake City, MN 55041-9555, U.S.A.  
 TITLE: TRK-DRUM/625AA

DRAWN	DN	DATE	10/16/2019
CHECKED			
ENG APPR.			

**ALL ANGLE ARE 90° UNLESS SPECIFIED**

SIZE	<b>PART NO.</b>	F81925A7
B	<b>MATL:</b>	Material <not specified>
SCALE:	1:16	WEIGHT: 60.43
		SHEET 2 OF 3

B	-	CREATED	DN	10/16/2019
CHG	E.C.O.	DESCRIPTION / WAS	BY	DATE



- 1. TIRE SIZE: 12.5 X 3.50
- 2. TREAD PATTERN: SAWTOOTH
- 3. WHEEL MATERIAL: RUBBER
- 4. LOAD CAP./WHEEL: 1535#
- 5. WEIGHT/WHEEL: 8#
- 6. OVERALL HUB WIDTH: 3.25
- 7. OFFSET CENTER OF
- 8. WHEEL TO END OF HUB: 2.16
- 9. HUB MATERIAL: ALUMINUM
- 10. BEARING TYPE: BALL
- 11. BORE OR AXLE SIZE: 1.00
- 12. HUB COLOR: SILVER
- 13. GREASE ZERK: NO
- 14. VENDOR: FASTENAL COMPANY

Item Number	Part Number	Description	Qty.
1	Z30007A9	TIRE-AIR 12	1
2	Z30008A8	TUBE-AIR 12	1
3	Z30002A4	BEARING-FLG 1/RPMT	2
4	Z30054A1/R70054	RIM-FEMALE AIR 12B -- CS use R70054 as RPMTS	1
5	Z30055A0/R70055	RIM-MALE AIR 12B -- CS use R70055 as RPMTS	1
6	Z10139A2	S-HHC 3/8-24X5/8	6
7	Z10214A0	WASHER-3/8 LOCK MD	6

**PROPRIETARY AND CONFIDENTIAL**  
 THE INFORMATION CONTAINED IN THIS DRAWING IS THE SOLE PROPERTY OF VALLEY CRAFT. ANY REPRODUCTION IN PART OR AS A WHOLE WITHOUT THE WRITTEN PERMISSION OF VALLEY CRAFT IS PROHIBITED.

**UNLESS OTHERWISE SPECIFIED:**  
 DECIMALS  
 2 PLACES ±0.01  
 3 PLACES ±0.005  
 ANGLE ±1°  
 GRIND/SAND SHARP EDGES .015 MAX  
 DOES NOT APPLY TO DRILLED HOLE DIA.

2001 South Hwy. 61, Lake City, MN 55041-9555, U.S.A.

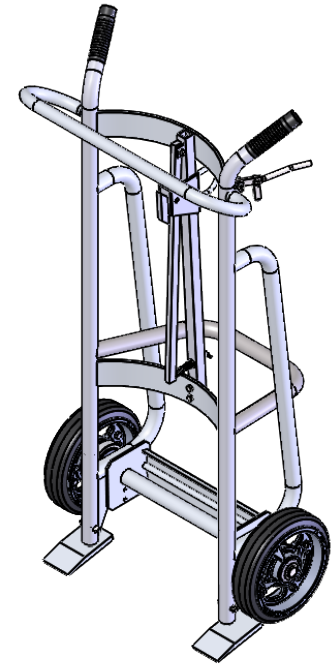
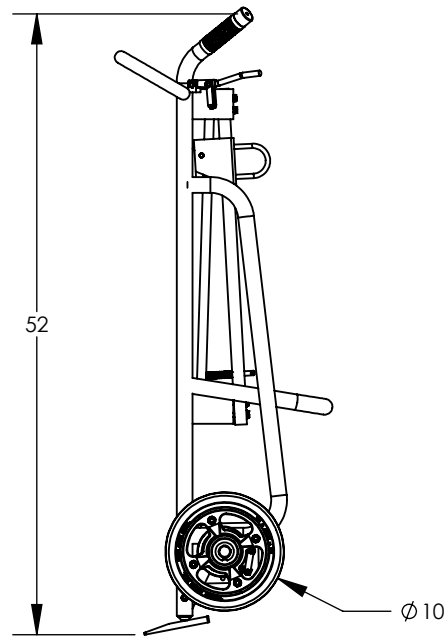
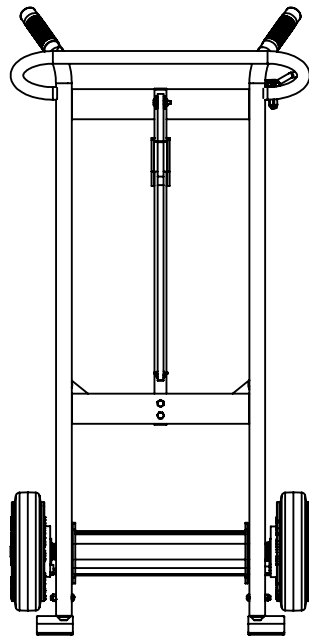
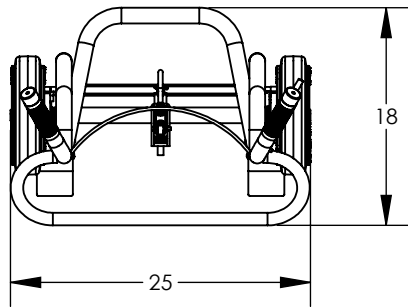
**TITLE:** WHL-12 AIR BRK

DRAWN	NAME	DATE
CHECKED		
ENG APPR.		

SIZE	<b>PART NO.</b>
<b>A</b>	F60032A1
	<b>MATL:</b>
SCALE: 1:6	WEIGHT:
	SHEET 3 OF 3

A			10/31/2009
CHG.	E.C.O.	DESCRIPTION / WAS	BY DATE

**ALL ANGLES ARE 90° UNLESS SPECIFIED**



FRAME MATERIAL: ALUMINUM  
 WHEELS: SOLID RUBBER  
 BRAKE: YES  
 LOAD CAPACITY: 1,000 LBS.  
 WEIGHT: 55 LBS.  
 WIDTH: 25"  
 DEPTH: 18"  
 HEIGHT: 52"  
 LOCKING CHIME HOOK "L" AS SUFFIX  
 FIBER CHIME HOOK "F" AS SUFFIX  
 CABLE CHIME HOOK "C" AS SUFFIX  
 PLASTIC CHIME HOOK "P" AS SUFFIX

**PROPRIETARY AND CONFIDENTIAL**

THE INFORMATION CONTAINED IN THIS DRAWING IS THE SOLE PROPERTY OF VALLEY CRAFT. ANY REPRODUCTION IN PART OR AS A WHOLE WITHOUT THE WRITTEN PERMISSION OF VALLEY CRAFT IS PROHIBITED.

**UNLESS OTHERWISE SPECIFIED:**

DECIMALS  
 2 PLACES ±0.01  
 3 PLACES ±0.005  
 ANGLE ±1°

**GRIND/SAND SHARP EDGES .015 MAX DOES NOT APPLY TO DRILLED HOLE DIA.**



2001 South Hwy. 61, Lake City, MN 55041-9555, U.S.A.

**TITLE:** TRK-DRUM/625AS

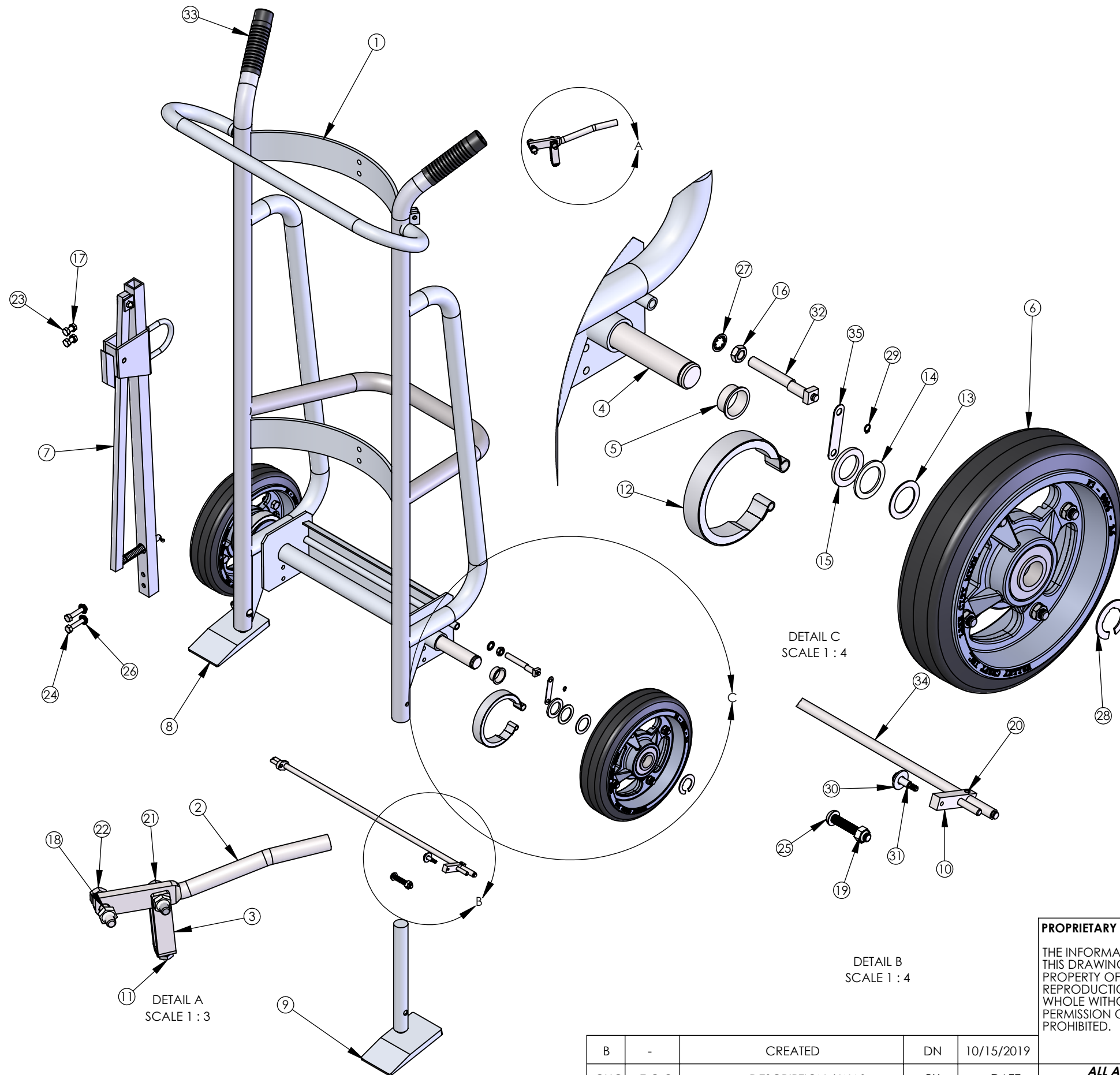
B	-	CREATED	DN	10/15/2019
CHG.	E.C.O.	DESCRIPTION / WAS	BY	DATE

**ALL ANGLES ARE 90° UNLESS SPECIFIED**

	NAME	DATE
DRAWN	DN	10/15/2019
CHECKED		
ENG APPR.		

SIZE	<b>PART NO.</b>
<b>A</b>	F82050A2
	<b>MATL:</b> Material <not specified>
SCALE: 1:16	WEIGHT: 47.96   SHEET 1 OF 3

Not Modeled: F60180A1 - BRAKE CABLE ASSEMBLY Qty. 1



ITEM NO.	PART NUMBER	DESCRIPTION	QTY.
1	F60506A8	F W/625AS	1
2	F30013A7	HDL-BRK/825	1
3	F30014A6	CLEVIS-BRK CABLE	1
4	F30041A3	AXLE-FRT/650A	1
5	F57260A9	BRG-STL FLG 1.01X1.05X.5	2
6	F60004A5	WHL-10 D/M	2
7	F60063B1/R60063	C H ASSY-A/STD -- CS, use R60063 for RPMTS	1
7	F62771A2	CH ASSY-A/ CABLE	1
7	F60950A9	CH ASSY-A/ FIBER	1
7	F60947A5	CH ASSY-S/ LOCKING	1
7	F60945A7	CH ASSY-S/ PLASTIC	1
8	F60065A1/R60065	SHOE WLDMT-RH A/600A -- CS, use R60065 for RPMTS	1
9	F60066A0/R60066	SHOE WLDMT-LH A/600A -- CS, use R60066 for RPMTS	1
10	F68656A4	BRK ROD PIN WLDMT	1
11	Z10041A9	NUT-HEX MACH #10-32	1
12	F62177A2	BRK BAND ASSY	2
13	Z10011A5	BUSH-MACH 1x18GAx1-1/2 OD	2
14	Z10012A4	BUSH-MACH 1x14GAx1-1/2 OD	2
15	Z10013A3	BUSH-MACH 1x10GAx1-1/2 OD	2
16	Z10030A2	NUT-HEX JAM 3/8-24	2
17	Z10036A6	NUT-HEX KEPS 5/16-18	4
18	Z10043A7	NUT-NYL NE 1/4-20	2
19	Z10045A5	NUT-NYL NE 5/16-18	2
20	Z10069A6	PIN-SPG 3/16X5/8	1
21	Z10112A3	S-HHC 1/4-20X1	1
22	Z10113A2	S-HHC 1/4-20X1-1/4	1
23	Z10122A1	S-HHC 5/16-18X3/4	2
24	Z10125A8	S-HHC 5/16-18X1-1/2	2
25	Z10184A6	S-RHM 5/16-18X1-3/4	2
26	Z10200A6	WASHER-1/4 FLAT USS	2
27	Z10209A7	WASHER-3/8 LOCK INT TOOTH	2
28	Z10223A9	RING-RTNG 1	2
29	Z10231A9	RING-RTNG 1/4	4
30	Z10602A2	WASHER-1/4 FLAT SAE	1
31	Z10805A2	BOLT-STRIPPER 1/4X1/2	1
32	Z30012A2	ECC-BRK SHORT	2
33	Z50085A2	GRIP-HDL 1-1/4" BLK	2
34	F68891A9	BRK ROD WLDMT-20.63	1
35	F30012A8	LINK-CONN/825 (STK)	2

**PROPRIETARY AND CONFIDENTIAL**  
 THE INFORMATION CONTAINED IN THIS DRAWING IS THE SOLE PROPERTY OF VALLEY CRAFT. ANY REPRODUCTION IN PART OR AS A WHOLE WITHOUT THE WRITTEN PERMISSION OF VALLEY CRAFT IS PROHIBITED.

**UNLESS OTHERWISE SPECIFIED:**  
 DECIMALS  
 2 PLACES ±0.01  
 3 PLACES ±0.005  
 ANGLE ±1°  
 GRIND/SAND SHARP EDGES .015 MAX  
 DOES NOT APPLY TO DRILLED HOLE DIA.

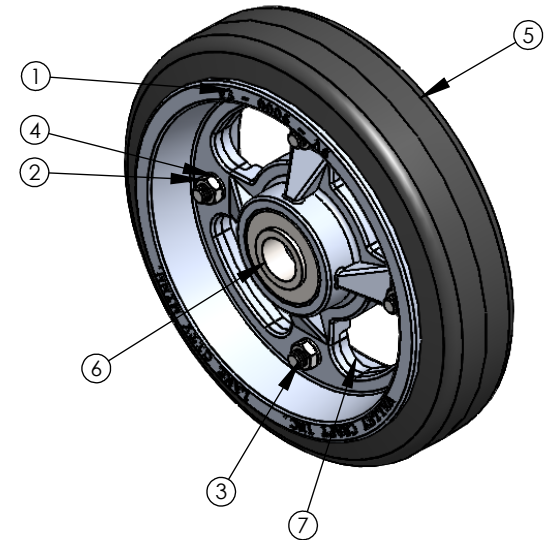
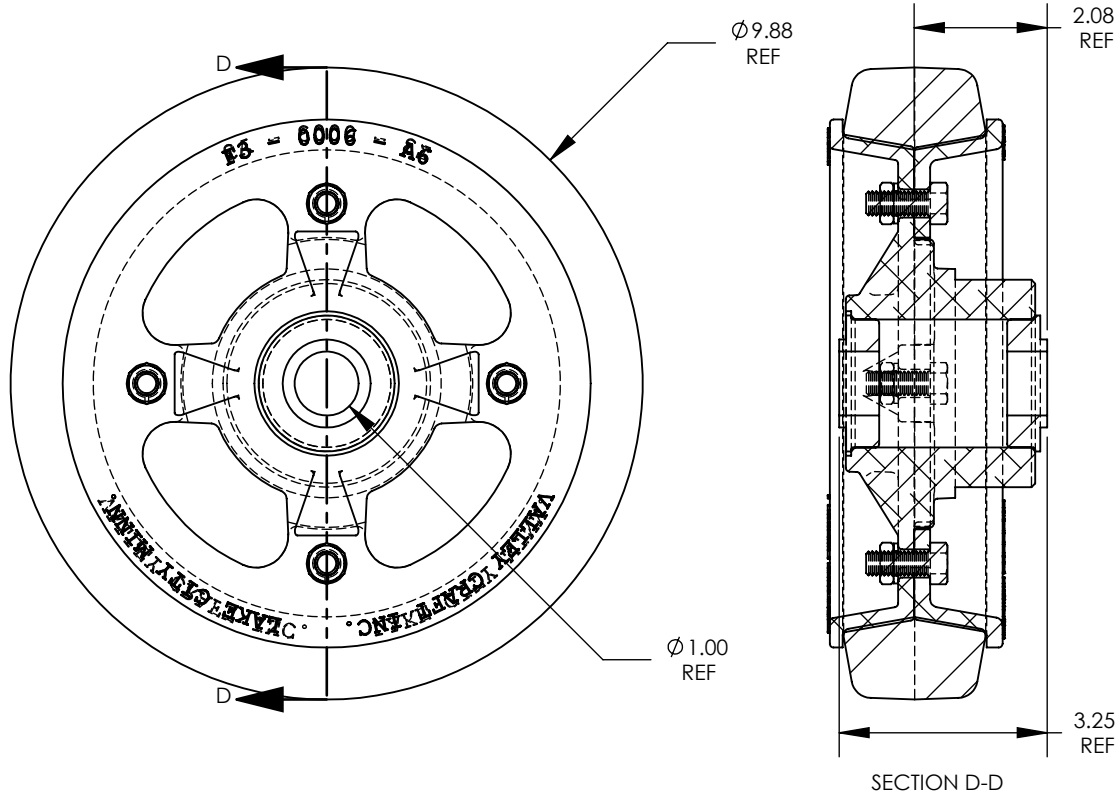


B	-	CREATED	DN	10/15/2019
CHG	E.C.O.	DESCRIPTION / WAS	BY	DATE

**ALL ANGLE ARE 90° UNLESS SPECIFIED**

	NAME	DATE
DRAWN	DN	10/15/2019
CHECKED		
ENG APPR.		

TITLE: TRK-DRUM/625AS	
SIZE	PART NO. F82050A2
B	MATL: Material <not specified>
SCALE: 1:12	WEIGHT: 47.96 SHEET 2 OF 3



NOTES:

- △ A : 10 X 2-1/2 TIRE SIZE
- △ B : SMOOTH TREAD PATTERN
- △ C : SOFT RUBBER WHEEL MATERIAL
- △ D : 600# LOAD CAPACITY
- △ E : 8.5# WEIGHT/WHEEL
- △ F : ALUMINUM HUB MATERIAL
- △ G : BALL BEARING TYPE
- △ H : SILVER HUB COLOR

ITEM NO.	PART NUMBER	DESCRIPTION	QTY.
1	F30006A6	HUB-D/M 10X2.5	1
2	Z10026A8	NUT-HEX JAM 3/8-16ZP	4
3	Z10132A9	S-HHC 3/8-16X1	4
4	Z10214A0	WASHER-3/8 LOCK MD	4
5	Z30001A5	TIRE-HARD BASE D/M 10 X 2-1/2	1
6	Z30002A4	BRG-FLG 1/RPMT	2
7	Z30003A3	FLG-D/M 10X.5HD-10F	1

**PROPRIETARY AND CONFIDENTIAL**

THE INFORMATION CONTAINED IN THIS DRAWING IS THE SOLE PROPERTY OF VALLEY CRAFT. ANY REPRODUCTION IN PART OR AS A WHOLE WITHOUT THE WRITTEN PERMISSION OF VALLEY CRAFT IS PROHIBITED.

**UNLESS OTHERWISE SPECIFIED:**

DECIMALS  
2 PLACES ±0.01  
3 PLACES ±0.005  
ANGLE ±1°

**GRIND/SAND SHARP EDGES .015 MAX DOES NOT APPLY TO DRILLED HOLE DIA.**



**TITLE:** WHL-10 D/M

NAME	DATE	SIZE	PART NO.
DRAWN JS		A	F60004A5
CHECKED			<b>MATL:</b>
ENG APPR.		SCALE: 1:3	WEIGHT: SHEET 3 OF 3

A	-	DRAWN	JS	01/29/2009
CHG.	E.C.O.	DESCRIPTION / WAS	BY	DATE

**ALL ANGLES ARE 90° UNLESS SPECIFIED**