

FRAME MATERIAL: STEEL
 WHEELS: PNEUMATIC
 BRAKE: NO
 LOAD CAPACITY: 1,000 LBS.
 WEIGHT: 75 LBS.
 WIDTH: 25-1/2"
 DEPTH: 20-3/4"
 HEIGHT: 58.9"
 LOCKING CHIME HOOK "L" AS SUFFIX
 FIBER CHIME HOOK "F" AS SUFFIX
 CABLE CHIME HOOK "C" AS SUFFIX
 PLASTIC CHIME HOOK "P" AS SUFFIX

PROPRIETARY AND CONFIDENTIAL

THE INFORMATION CONTAINED IN THIS DRAWING IS THE SOLE PROPERTY OF VALLEY CRAFT. ANY REPRODUCTION IN PART OR AS A WHOLE WITHOUT THE WRITTEN PERMISSION OF VALLEY CRAFT IS PROHIBITED.

UNLESS OTHERWISE SPECIFIED:

DECIMALS
 2 PLACES ± 0.01
 3 PLACES ± 0.005
 ANGLE $\pm 1^\circ$

GRIND/SAND SHARP EDGES .015 MAX DOES NOT APPLY TO DRILLED HOLE DIA.



2001 South Hwy. 61, Lake City, MN 55041-9555, U.S.A.

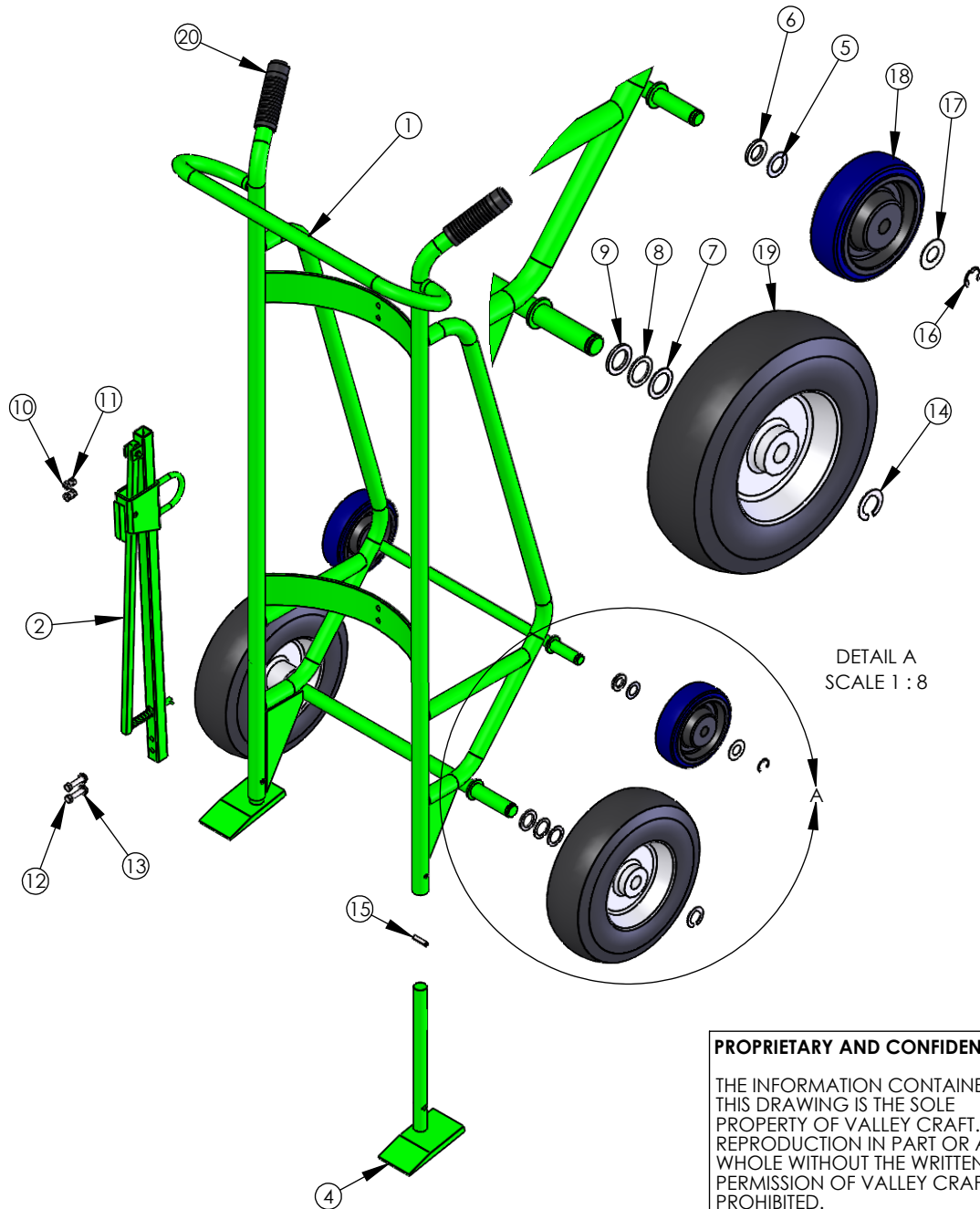
TITLE: TRK-DRUM/650SA STD CH

| | | | | |
|------|--------|-------------------|----|------------|
| B | - | CREATED | DN | 04/09/2019 |
| CHG. | E.C.O. | DESCRIPTION / WAS | BY | DATE |

ALL ANGLES ARE 90° UNLESS SPECIFIED

| | | |
|-----------|------|------------|
| | NAME | DATE |
| DRAWN | DN | 04/09/2019 |
| CHECKED | | |
| ENG APPR. | | |

| | |
|-------------|---------------------------------------|
| SIZE | PART NO. |
| A | F82375A0 |
| | MATL: Material <not specified> |
| SCALE: 1:24 | WEIGHT: 75.41 SHEET 1 OF 3 |



| ITEM NO. | PART NUMBER | DESCRIPTION | QTY. |
|----------|-----------------|--|------|
| 1 | F60261A3 | F W/650SA | 1 |
| 2 | F60039B2/R60039 | CHIME HOOK ASSY - STEEL --CS, use R60039 for RPMTS | 1 |
| 2 | F60946A6 | CH ASSY-S/ CABLE | 1 |
| 2 | F60949A3 | CH ASSY-S/ FIBER | 1 |
| 2 | F60947A5 | CH ASSY-S/ LOCKING | 1 |
| 2 | F60945A7 | CH ASSY-S/ PLASTIC | 1 |
| 3 | F60044A7/R70044 | SHOE WLDMT-RH S/600 -- CS, use R70044 for RPMTS | 1 |
| 4 | F60045A6/R70045 | SHOE WLDMT-LH S/600 -- CS, use R70045 for RPMTS | 1 |
| 5 | Z10008A0 | BUSH-MACH 6H 3/4x18GAx1-1/4 OD | 2 |
| 6 | Z10010A6 | BUSH-MACH 3/4x10GAx1-1/4 OD | 2 |
| 7 | Z10011A5 | BUSH-MACH 1x18GAx1-1/2 OD | 2 |
| 8 | Z10012A4 | BUSH-MACH 1x14GAx1-1/2 OD | 2 |
| 9 | Z10013A3 | BUSH-MACH 1x10GAx1-1/2 OD | 14 |
| 10 | Z10036A6 | NUT-HEX KEPS 5/16-18 | 4 |
| 11 | Z10121A2 | S-HHC 5/16-18X1/2 | 2 |
| 12 | Z10125A8 | S-HHC 5/16-18X1-1/2 | 2 |
| 13 | Z10200A6 | WASHER-1/4 FLAT USS | 2 |
| 14 | Z10223A9 | RING-RTNG 1 | 2 |
| 15 | Z10234A6 | PIN-SPG 5/16X1-1/4 | 2 |
| 16 | Z10236A4 | RING-RTNG 3/4 5304 | 2 |
| 17 | Z10491A6 | BUSH-MACH 3/4x18GAx1-1/2 OD | 4 |
| 18 | Z30135A4 | WHL-6 x 2 U/P 3/4 | 2 |
| 19 | Z30681A7 | WHL-12 AIR | 2 |
| 20 | Z50007A7 | GRIP-HDL 1-1/8" BLK | 2 |

DETAIL A
SCALE 1 : 8

PROPRIETARY AND CONFIDENTIAL

THE INFORMATION CONTAINED IN THIS DRAWING IS THE SOLE PROPERTY OF VALLEY CRAFT. ANY REPRODUCTION IN PART OR AS A WHOLE WITHOUT THE WRITTEN PERMISSION OF VALLEY CRAFT IS PROHIBITED.

UNLESS OTHERWISE SPECIFIED:

DECIMALS
2 PLACES ±0.01
3 PLACES ±0.005
ANGLE ±1°

GRIND/SAND SHARP EDGES .015 MAX DOES NOT APPLY TO DRILLED HOLE DIA.



2001 South Hwy. 61, Lake City, MN 55041-9555, U.S.A.

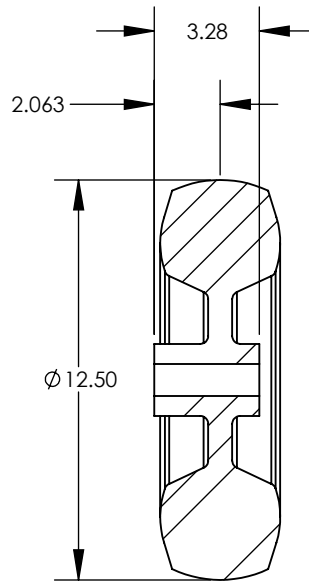
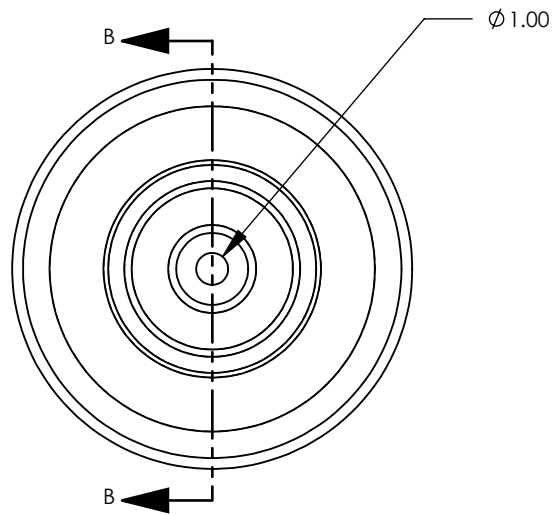
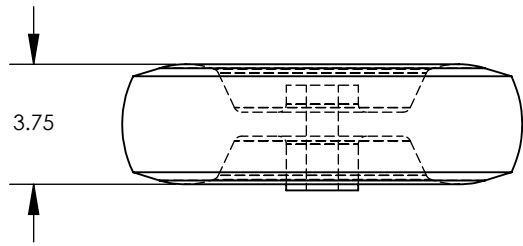
TITLE: TRK-DRUM/650SA STD CH

| | | | | |
|------|--------|-------------------|----|------------|
| B | - | CREATED | DN | 04/09/2019 |
| CHG. | E.C.O. | DESCRIPTION / WAS | BY | DATE |

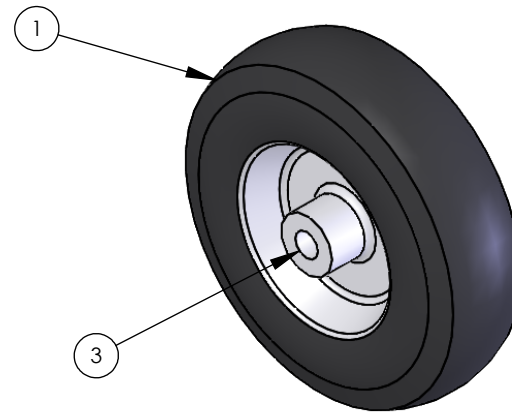
ALL ANGLES ARE 90° UNLESS SPECIFIED

| | | |
|-----------|------|------------|
| | NAME | DATE |
| DRAWN | DN | 04/09/2019 |
| CHECKED | | |
| ENG APPR. | | |

| | |
|-------------|---------------------------------------|
| SIZE | PART NO. |
| A | F82375A0 |
| | MATL: Material <not specified> |
| SCALE: 1:24 | WEIGHT: 75.41 SHEET 2 OF 3 |



SECTION B-B



- 1. TIRE SIZE: 12 - 1/2 X 3 - 3/4 (4.1/3.5 - 6)
- 2. TREAD PATTERN: SAWTOOTH
- 3. WHEEL MATERIAL: RUBBER
- 4. LOAD CAP./WHEEL: LOAD RANGE "B"
- 5. WEIGHT/WHEEL: 7#
- 6. OVERALL HUB WIDTH: 3.28
- 7. OFFSET CENTER OF WHEEL TO END OF HUB: 2 - 1/16
- 8. HUB MATERIAL: STEEL
- 9. BEARING TYPE: BALL
- 10. BORE OR AXLE SIZE: 1
- 11. HUB COLOR: SILVER
- 12. GREASE ZERK: NO
- 13. VENDOR: HOOSIER #869H34-82

| Item Number | Part Number | Description | Qty. |
|-------------|-------------|--------------------|------|
| 1 | Z30007A9 | TIRE-AIR 12 | 1 |
| 2 | Z30008A8 | TUBE-AIR 12 | 1 |
| 3 | Z30002A4 | BEARING-FLG 1/RPMT | 2 |

| | | | | |
|------|--------|-------------------|-----|------|
| B | | DRAWN FROM CADKEY | PBS | 1/08 |
| CHG. | E.C.O. | DESCRIPTION / WAS | BY | DATE |

PROPRIETARY AND CONFIDENTIAL

THE INFORMATION CONTAINED IN THIS DRAWING IS THE SOLE PROPERTY OF VALLEY CRAFT. ANY REPRODUCTION IN PART OR AS A WHOLE WITHOUT THE WRITTEN PERMISSION OF VALLEY CRAFT IS PROHIBITED.

ALL ANGLES ARE 90° UNLESS SPECIFIED

UNLESS OTHERWISE SPECIFIED:

DECIMALS
2 PLACES ±0.01
3 PLACES ±0.005
ANGLE ±1°

GRIND/SAND SHARP EDGES .015 MAX DOES NOT APPLY TO DRILLED HOLE DIA.

| | NAME | DATE |
|-----------|---------|------|
| DRAWN | salvopb | 1/08 |
| CHECKED | | |
| ENG APPR. | | |



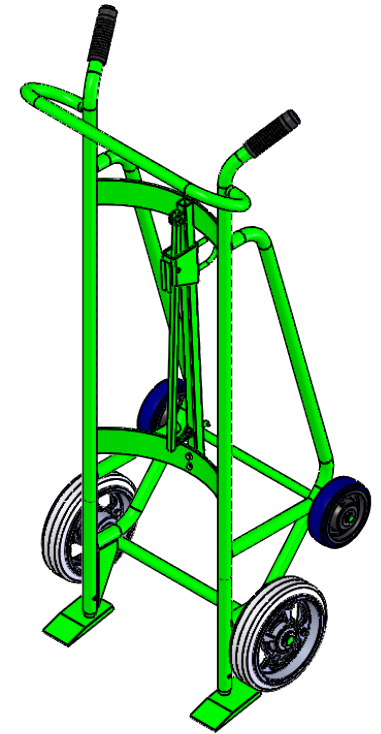
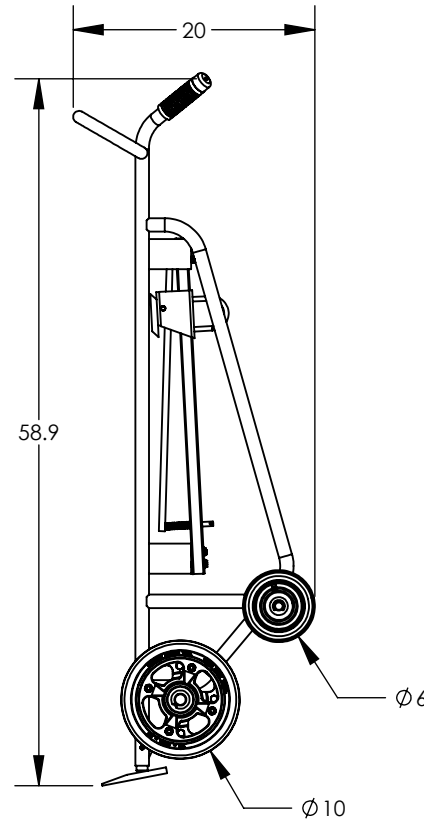
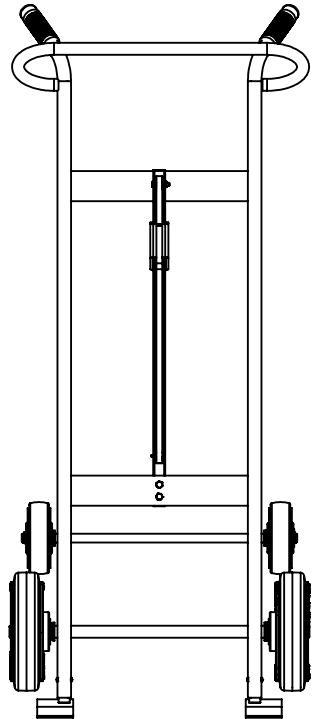
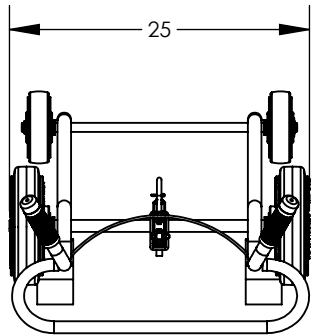
2001 South Hwy. 61, Lake City, MN 55041-9555, U.S.A.

TITLE: WHL-12 AIR

SIZE: **A** **PART NO.:** Z30681A7

MATL:

SCALE: 1:6 WEIGHT: 12.53 SHEET 3 OF 3



FRAME MATERIAL: STEEL
 WHEELS: SOLID RUBBER
 BRAKE: NO
 LOAD CAPACITY: 1,000 LBS.
 WEIGHT: 73 LBS.
 WIDTH: 25"
 DEPTH: 20"
 HEIGHT: 58.9"
 LOCKING CHIME HOOK "L" AS SUFFIX
 FIBER CHIME HOOK "F" AS SUFFIX
 CABLE CHIME HOOK "C" AS SUFFIX
 PLASTIC CHIME HOOK "P" AS SUFFIX

PROPRIETARY AND CONFIDENTIAL

THE INFORMATION CONTAINED IN THIS DRAWING IS THE SOLE PROPERTY OF VALLEY CRAFT. ANY REPRODUCTION IN PART OR AS A WHOLE WITHOUT THE WRITTEN PERMISSION OF VALLEY CRAFT IS PROHIBITED.

UNLESS OTHERWISE SPECIFIED:

DECIMALS
 2 PLACES ± 0.01
 3 PLACES ± 0.005
 ANGLE $\pm 1^\circ$

GRIND/SAND SHARP EDGES .015 MAX DOES NOT APPLY TO DRILLED HOLE DIA.



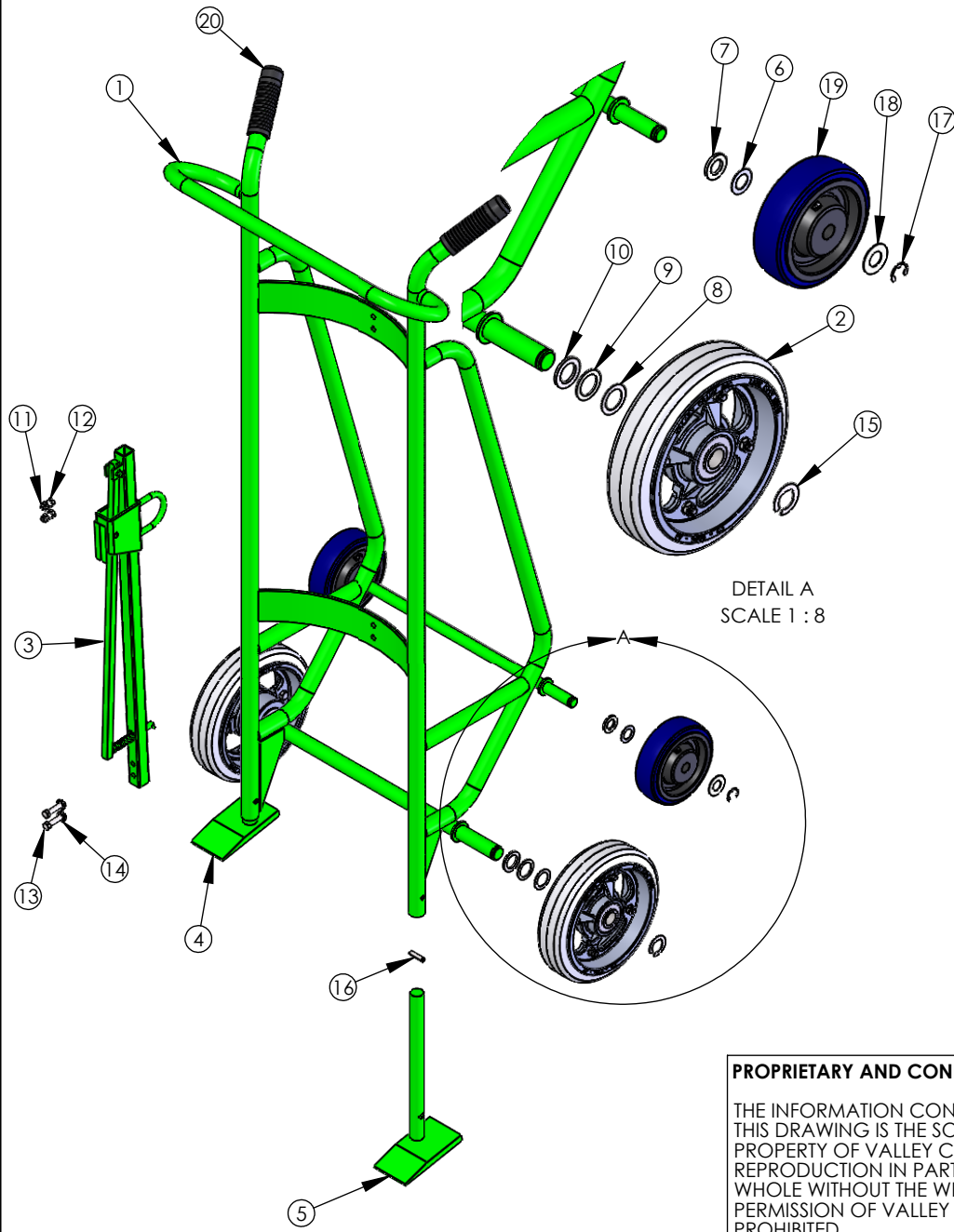
TITLE: TRK-DRUM/650SS STD CH

| | | | | |
|------|--------|-------------------|----|------------|
| A | - | DRAWN IN SW | DN | 04/10/2019 |
| CHG. | E.C.O. | DESCRIPTION / WAS | BY | DATE |

ALL ANGLES ARE 90° UNLESS SPECIFIED

| | NAME | DATE |
|-----------|------|------------|
| DRAWN | DN | 04/10/2019 |
| CHECKED | | |
| ENG APPR. | | |

| | | | |
|-------------|-----------------|--------------|--|
| SIZE | PART NO. | | |
| A | F82895A1 | | |
| | MATL: | | |
| SCALE: 1:16 | WEIGHT: 63.89 | SHEET 1 OF 3 | |



| ITEM NO. | PART NUMBER | DESCRIPTION | QTY. |
|----------|-----------------|--|------|
| 1 | F60037A6 | F W/650SS | 1 |
| 2 | F60004A5 | WHL-10 D/M | 2 |
| 3 | F60039B2/R60039 | CHIME HOOK ASSY - STEEL --CS, use R60039 for RPMTS | 1 |
| 3 | F60946A6 | CH ASSY-S/ CABLE | 1 |
| 3 | F60949A3 | CH ASSY-S/ FIBER | 1 |
| 3 | F60947A5 | CH ASSY-A/ LOCKING | 1 |
| 3 | F60945A7 | CH ASSY-S/ PLASTIC | 1 |
| 4 | F60044A7/R70044 | SHOE WLDMT-RH S/600 -- CS, use R70044 for RPMTS | 1 |
| 5 | F60045A6/R70045 | SHOE WLDMT-LH S/600 -- CS, use R70045 for RPMTS | 1 |
| 6 | Z10008A0 | BUSH-MACH 6H 3/4x18GAx1-1/4 OD | 2 |
| 7 | Z10010A6 | BUSH-MACH 3/4x10GAx1-1/4 OD | 2 |
| 8 | Z10011A5 | BUSH-MACH 1x18GAx1-1/2 OD | 2 |
| 9 | Z10012A4 | BUSH-MACH 1x14GAx1-1/2 OD | 2 |
| 10 | Z10013A3 | BUSH-MACH 1x10GAx1-1/2 OD | 6 |
| 11 | Z10036A6 | NUT-HEX KEPS 5/16-18 | 4 |
| 12 | Z10122A1 | S-HHC 5/16-18X3/4 | 2 |
| 13 | Z10125A8 | S-HHC 5/16-18X1-1/2 | 2 |
| 14 | Z10200A6 | WASHER-1/4 FLAT USS | 2 |
| 15 | Z10223A9 | RING-RTNG 1 | 2 |
| 16 | Z10234A6 | PIN-SPG 5/16X1-1/4 | 2 |
| 17 | Z10236A4 | RING-RTNG 3/4 5304 | 2 |
| 18 | Z10491A6 | BUSH-MACH 3/4x18GAx1-1/2 OD | 4 |
| 19 | Z30135A4 | WHL-6 x 2 U/P 3/4 | 2 |
| 20 | Z50007A7 | GRIP-HDL 1-1/8" BLK | 2 |

DETAIL A
SCALE 1 : 8

PROPRIETARY AND CONFIDENTIAL
THE INFORMATION CONTAINED IN THIS DRAWING IS THE SOLE PROPERTY OF VALLEY CRAFT. ANY REPRODUCTION IN PART OR AS A WHOLE WITHOUT THE WRITTEN PERMISSION OF VALLEY CRAFT IS PROHIBITED.

UNLESS OTHERWISE SPECIFIED:
DECIMALS
2 PLACES ±0.01
3 PLACES ±0.005
ANGLE ±1°
GRIND/SAND SHARP EDGES .015 MAX DOES NOT APPLY TO DRILLED HOLE DIA.



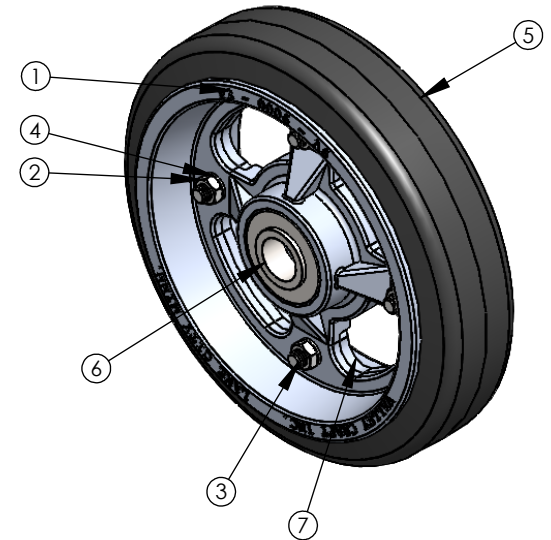
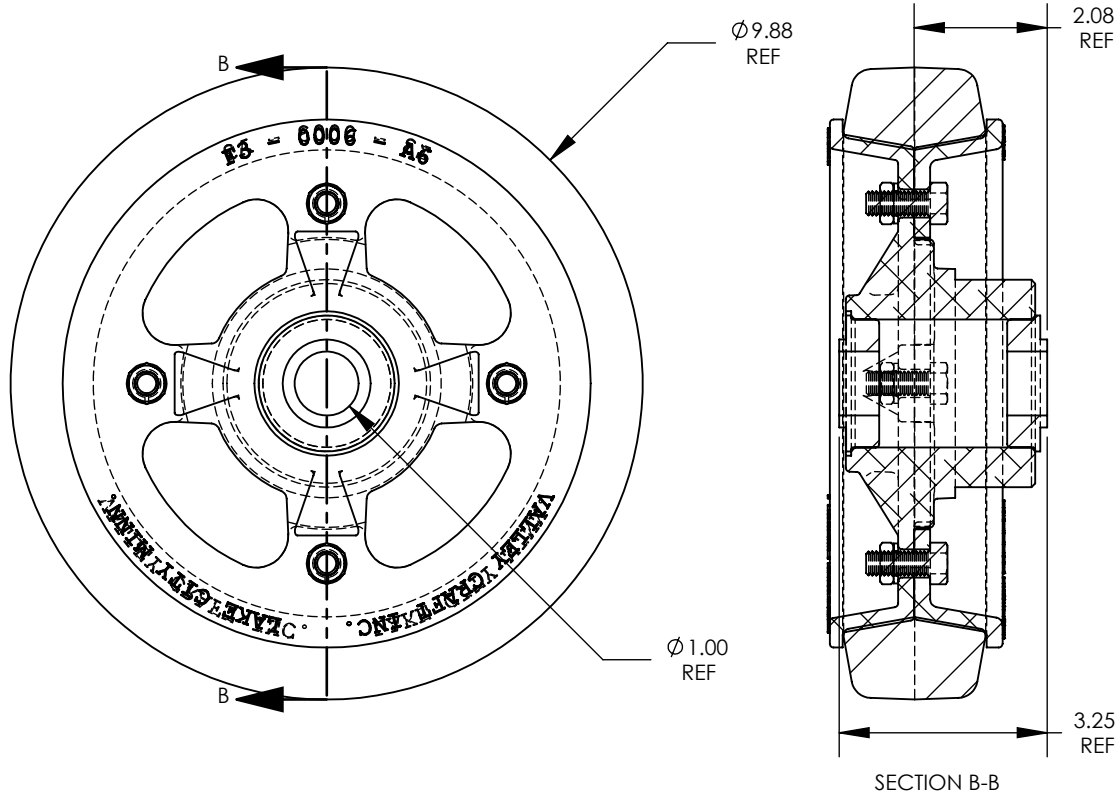
TITLE: TRK-DRUM/650SS STD CH

| | | | | |
|------|--------|-------------------|----|------------|
| A | - | DRAWN IN SW | DN | 04/10/2019 |
| CHG. | E.C.O. | DESCRIPTION / WAS | BY | DATE |

ALL ANGLES ARE 90° UNLESS SPECIFIED

| | | |
|-----------|------|------------|
| | NAME | DATE |
| DRAWN | DN | 04/10/2019 |
| CHECKED | | |
| ENG APPR. | | |

| | |
|--------------|-----------------|
| SIZE | PART NO. |
| A | F82895A1 |
| | MATL: |
| SCALE: 1:24 | WEIGHT: 63.89 |
| SHEET 2 OF 3 | |



NOTES:

- $\triangle A$: 10 X 2-1/2 TIRE SIZE
- $\triangle B$: SMOOTH TREAD PATTERN
- $\triangle C$: SOFT RUBBER WHEEL MATERIAL
- $\triangle D$: 600# LOAD CAPACITY
- $\triangle E$: 8.5# WEIGHT/WHEEL
- $\triangle F$: ALUMINUM HUB MATERIAL
- $\triangle G$: BALL BEARING TYPE
- $\triangle H$: SILVER HUB COLOR

| ITEM NO. | PART NUMBER | DESCRIPTION | QT. Y. |
|----------|-------------|-------------------------------|--------|
| 1 | F30006A6 | HUB-D/M 10X2.5 | 1 |
| 2 | Z10026A8 | NUT-HEX JAM 3/8-16ZP | 4 |
| 3 | Z10132A9 | S-HHC 3/8-16X1 | 4 |
| 4 | Z10214A0 | WASHER-3/8 LOCK MD | 4 |
| 5 | Z30001A5 | TIRE-HARD BASE D/M 10 X 2-1/2 | 1 |
| 6 | Z30002A4 | BRG-FLG 1/RPMT | 2 |
| 7 | Z30003A3 | FLG-D/M 10X.5HD-10F | 1 |

PROPRIETARY AND CONFIDENTIAL

THE INFORMATION CONTAINED IN THIS DRAWING IS THE SOLE PROPERTY OF VALLEY CRAFT. ANY REPRODUCTION IN PART OR AS A WHOLE WITHOUT THE WRITTEN PERMISSION OF VALLEY CRAFT IS PROHIBITED.

UNLESS OTHERWISE SPECIFIED:

DECIMALS
2 PLACES ± 0.01
3 PLACES ± 0.005
ANGLE $\pm 1^\circ$

GRIND/SAND SHARP EDGES .015 MAX DOES NOT APPLY TO DRILLED HOLE DIA.



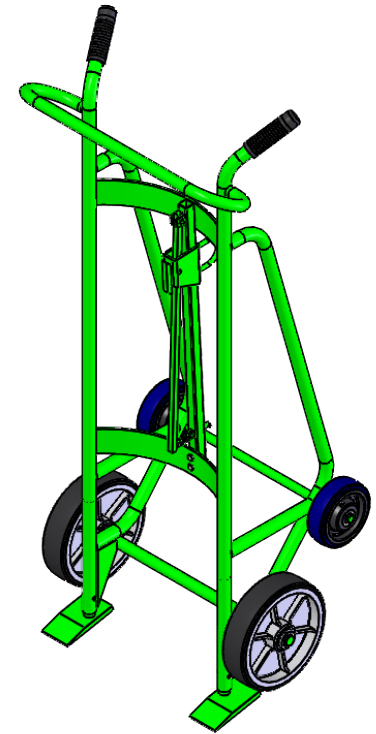
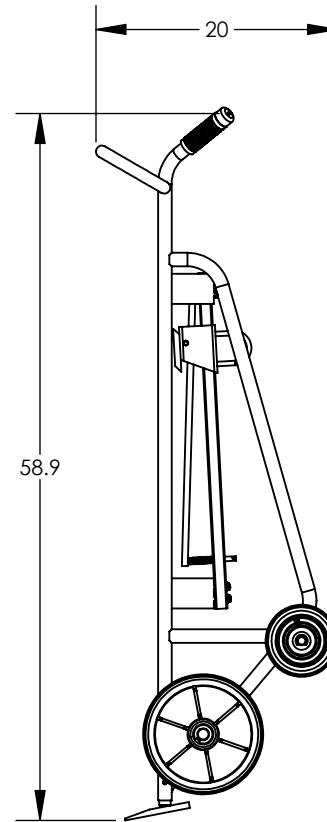
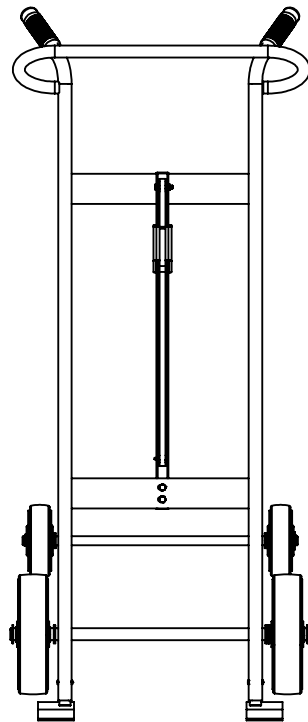
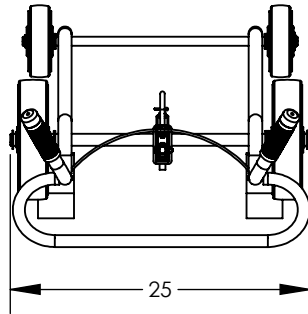
2001 South Hwy. 61, Lake City, MN 55041-9555, U.S.A.

TITLE: WHL-10 D/M

| NAME | DATE | SIZE | PART NO. |
|-----------|------|------------|----------------------|
| DRAWN JS | | A | F60004A5 |
| CHECKED | | | MATL: |
| ENG APPR. | | SCALE: 1:3 | WEIGHT: SHEET 3 OF 3 |

| A | - | DRAWN | JS | 01/29/2009 |
|------|--------|-------------------|----|------------|
| CHG. | E.C.O. | DESCRIPTION / WAS | BY | DATE |
| | | | | |

ALL ANGLES ARE 90° UNLESS SPECIFIED



FRAME MATERIAL: STEEL
 WHEELS: MOLD-ON
 BRAKE: NO
 LOAD CAPACITY: 1,000 LBS.
 WEIGHT: 82 LBS.
 WIDTH: 25"
 DEPTH: 20"
 HEIGHT: 58.9"
 LOCKING CHIME HOOK "L" AS SUFFIX
 FIBER CHIME HOOK "F" AS SUFFIX
 CABLE CHIME HOOK "C" AS SUFFIX
 PLASTIC CHIME HOOK "P" AS SUFFIX

PROPRIETARY AND CONFIDENTIAL

THE INFORMATION CONTAINED IN THIS DRAWING IS THE SOLE PROPERTY OF VALLEY CRAFT. ANY REPRODUCTION IN PART OR AS A WHOLE WITHOUT THE WRITTEN PERMISSION OF VALLEY CRAFT IS PROHIBITED.

UNLESS OTHERWISE SPECIFIED:

DECIMALS
 2 PLACES ± 0.01
 3 PLACES ± 0.005
 ANGLE $\pm 1^\circ$

GRIND/SAND SHARP EDGES .015 MAX DOES NOT APPLY TO DRILLED HOLE DIA.



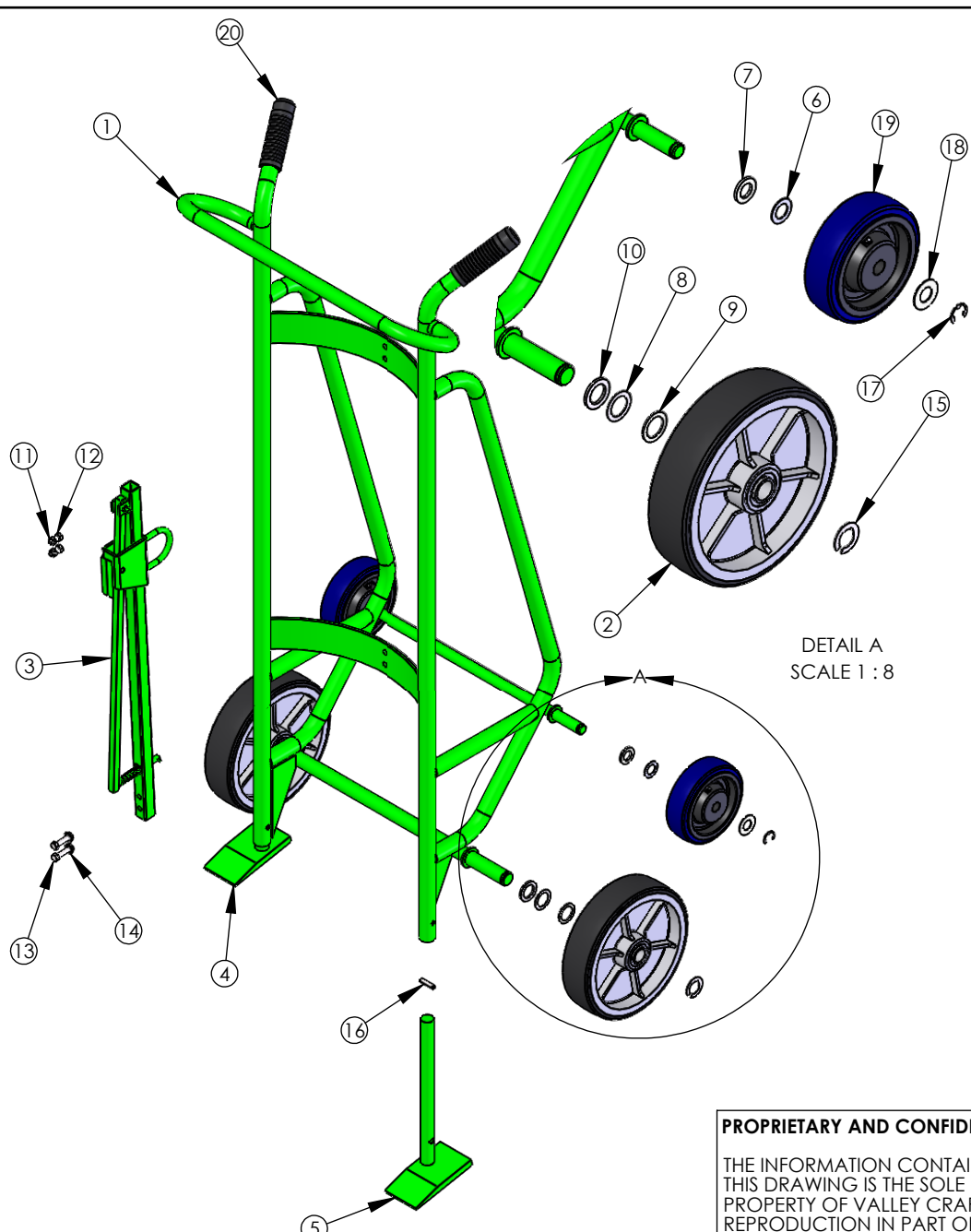
TITLE: TRK-DRUM/650SSM STD CH

| | | | | |
|------|--------|-------------------|-----|------|
| A | | DRAWN IN SW | PBS | 5/08 |
| CHG. | E.C.O. | DESCRIPTION / WAS | BY | DATE |

ALL ANGLES ARE 90° UNLESS SPECIFIED

| | | |
|-----------|---------|------|
| | NAME | DATE |
| DRAWN | salvopb | 5/08 |
| CHECKED | | |
| ENG APPR. | | |

| | | | |
|-------------|-----------------|--------------|--|
| SIZE | PART NO. | | |
| A | F82845A2 | | |
| | MATL: | | |
| SCALE: 1:16 | WEIGHT: 69.49 | SHEET 1 OF 2 | |



| ITEM NO. | PART NUMBER | DESCRIPTION | QTY. |
|----------|-----------------|--|------|
| 1 | F60037A6 | F W/650SS | 1 |
| 2 | F60011A6 | WHL-10 M/O | 2 |
| 3 | F60039B2/R60039 | CHIME HOOK ASSY - STEEL --CS, use R60039 for RPMTS | 1 |
| 3 | F60946A6 | CH ASSY-S/ CABLE | 1 |
| 3 | F60949A3 | CH ASSY-S/ FIBER | 1 |
| 3 | F60947A5 | CH ASSY-S/ LOCKING | 1 |
| 3 | F60945A7 | CH ASSY-S/ PLASTIC | 1 |
| 4 | F60044A7/R70044 | SHOE WLDMT-RH S/600 -- CS, use R70044 for RPMTS | 1 |
| 5 | F60045A6/R70045 | SHOE WLDMT-LH S/600 -- CS, use R70045 for RPMTS | 1 |
| 6 | Z10008A0 | BUSH-MACH 6H 3/4x18GAx1-1/4 OD | 2 |
| 7 | Z10010A6 | BUSH-MACH 3/4x10GAx1-1/4 OD | 2 |
| 8 | Z10011A5 | BUSH-MACH 1x18GAx1-1/2 OD | 2 |
| 9 | Z10012A4 | BUSH-MACH 1x14GAx1-1/2 OD | 2 |
| 10 | Z10013A3 | BUSH-MACH 1x10GAx1-1/2 OD | 6 |
| 11 | Z10036A6 | NUT-HEX KEPS 5/16-18 | 4 |
| 12 | Z10122A1 | S-HHC 5/16-18X3/4 | 2 |
| 13 | Z10125A8 | S-HHC 5/16-18X1-1/2 | 2 |
| 14 | Z10200A6 | WASHER-1/4 FLAT USS | 2 |
| 15 | Z10223A9 | RING-RTNG 1 | 2 |
| 16 | Z10234A6 | PIN-SPG 5/16X1-1/4 | 2 |
| 17 | Z10236A4 | RING-RTNG 3/4 5304 | 2 |
| 18 | Z10491A6 | BUSH-MACH 3/4x18GAx1-1/2 OD | 4 |
| 19 | Z30135A4 | WHL-6 x 2 U/P 3/4 | 2 |
| 20 | Z50007A7 | GRIP-HDL 1-1/8" BLK | 2 |

PROPRIETARY AND CONFIDENTIAL

THE INFORMATION CONTAINED IN THIS DRAWING IS THE SOLE PROPERTY OF VALLEY CRAFT. ANY REPRODUCTION IN PART OR AS A WHOLE WITHOUT THE WRITTEN PERMISSION OF VALLEY CRAFT IS PROHIBITED.

UNLESS OTHERWISE SPECIFIED:

DECIMALS
2 PLACES ±0.01
3 PLACES ±0.005
ANGLE ±1°

GRIND/SAND SHARP EDGES .015 MAX DOES NOT APPLY TO DRILLED HOLE DIA.



2001 South Hwy. 61, Lake City, MN 55041-9555, U.S.A.

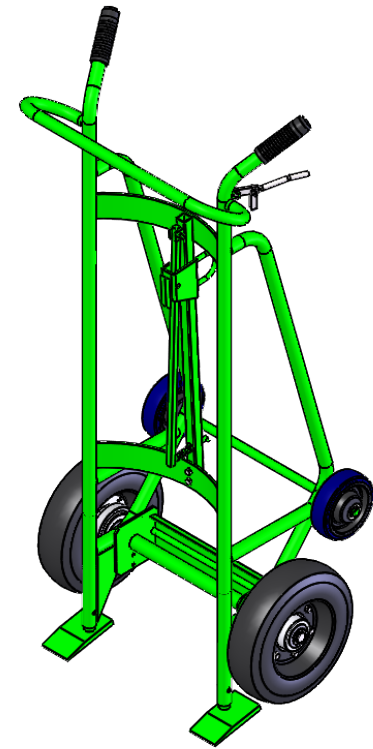
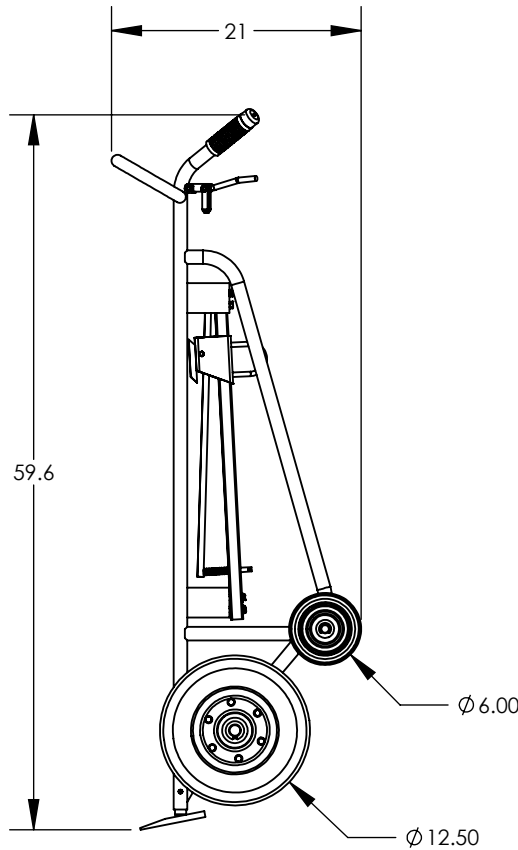
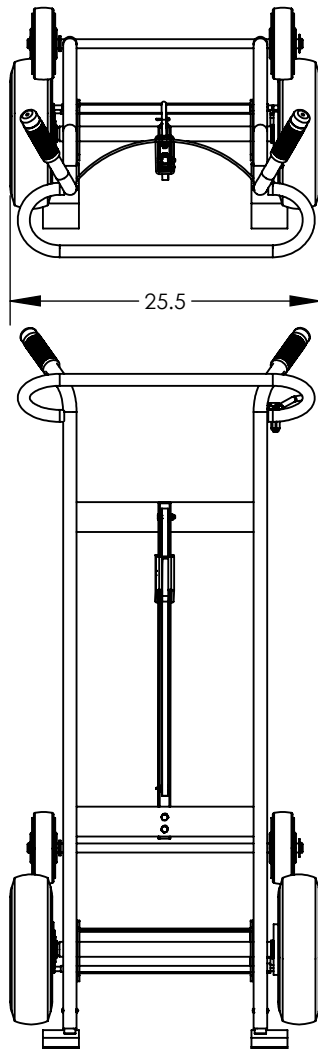
TITLE: TRK-DRUM/650SSM STD CH

| | | |
|-----------|---------|------|
| | NAME | DATE |
| DRAWN | salvopb | 5/08 |
| CHECKED | | |
| ENG APPR. | | |

| | |
|--------------|-----------------|
| SIZE | PART NO. |
| A | F82845A2 |
| | MATL: |
| SCALE: 1:24 | WEIGHT: 69.49 |
| SHEET 2 OF 2 | |

| | | | | |
|------|--------|-------------------|-----|------|
| A | | DRAWN IN SW | PBS | 5/08 |
| CHG. | E.C.O. | DESCRIPTION / WAS | BY | DATE |

ALL ANGLES ARE 90° UNLESS SPECIFIED



FRAME MATERIAL: STEEL
 WHEELS: PNEUMATIC
 BRAKE: YES
 LOAD CAPACITY: 1,000 LBS.
 WEIGHT: 84 LBS.
 WIDTH: 25-1/2"
 DEPTH: 21"
 HEIGHT: 59.6"
 LOCKING CHIME HOOK "L" AS SUFFIX
 FIBER CHIME HOOK "F" AS SUFFIX
 CABLE CHIME HOOK "C" AS SUFFIX
 PLASTIC CHIME HOOK "P" AS SUFFIX

PROPRIETARY AND CONFIDENTIAL

THE INFORMATION CONTAINED IN THIS DRAWING IS THE SOLE PROPERTY OF VALLEY CRAFT. ANY REPRODUCTION IN PART OR AS A WHOLE WITHOUT THE WRITTEN PERMISSION OF VALLEY CRAFT IS PROHIBITED.

UNLESS OTHERWISE SPECIFIED:

DECIMALS
 2 PLACES ±0.01
 3 PLACES ±0.005
 ANGLE ±1°

GRIND/SAND SHARP EDGES .015 MAX DOES NOT APPLY TO DRILLED HOLE DIA.



2001 South Hwy. 61, Lake City, MN 55041-9555, U.S.A.

TITLE: TRK-DRUM/675SA STD CH

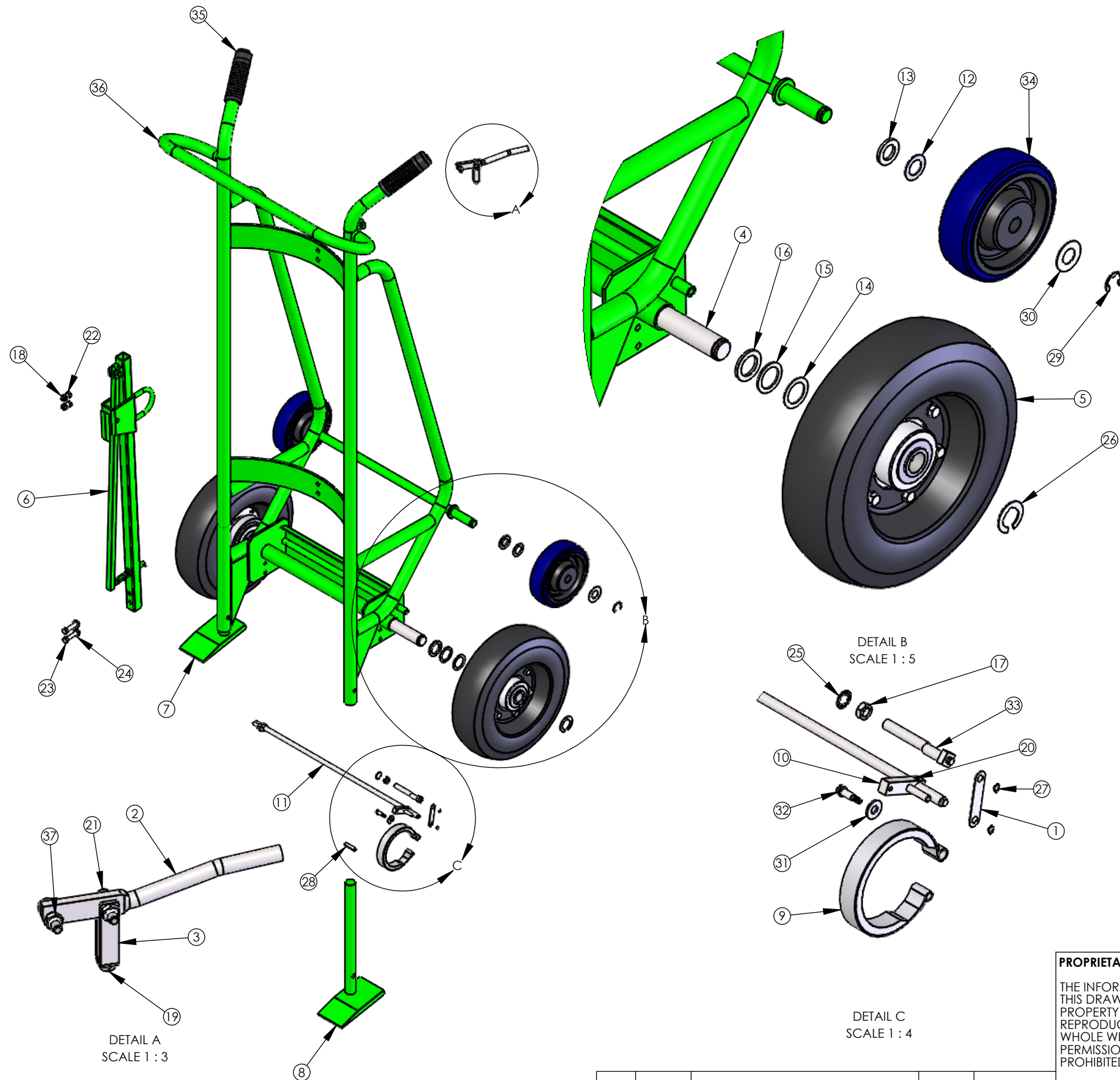
| | | | | |
|------|---------|--------------------------|----|------------|
| B | E21-121 | BRAKE CABLE WAS F68681A9 | DN | 02/01/2022 |
| CHG. | E.C.O. | DESCRIPTION / WAS | BY | DATE |

ALL ANGLES ARE 90° UNLESS SPECIFIED

| | | |
|-----------|------|------------|
| | NAME | DATE |
| DRAWN | DN | 04/05/2019 |
| CHECKED | | |
| ENG APPR. | | |

| | |
|-------------|---------------------------------------|
| SIZE | PART NO. |
| A | F83160A7 |
| | MATL: Material <not specified> |
| SCALE: 1:24 | WEIGHT: 84.94 SHEET 1 OF 3 |

Not Modeled F68682A8: BRAKE CABLE - 46.50" Qty. 1



| ITEM NO. | PART NUMBER | DESCRIPTION | QTY. |
|----------|-----------------|--|------|
| 1 | F30012A8 | LINK-CONN/825 | 2 |
| 2 | F30013A7 | HDL-BRK/825 | 1 |
| 3 | F30014A6 | CLEVIS-BRK CABLE | 1 |
| 4 | F30027A1 | AXLE-FRT/650S | 1 |
| 5 | F60032A1 | WHL-12 AIR BRK | 2 |
| 6 | F60039B2/R60039 | CHIME HOOK ASSY - STEEL --CS, use R60039 for RPMTS | 1 |
| 6 | F60946A6 | CH ASSY-S/ CABLE | 1 |
| 6 | F60949A3 | CH ASSY-S/ FIBER | 1 |
| 6 | F60947A5 | CH ASSY-S/ LOCKING | 1 |
| 6 | F60945A7 | CH ASSY-S/ PLASTIC | 1 |
| 7 | F60044A7/R70044 | SHOE WLDMT-RH S/600 -- CS, use R70044 for RPMTS | 1 |
| 8 | F60045A6/R70045 | SHOE WLDMT-LH S/600 -- CS, use R70045 for RPMTS | 1 |
| 9 | F62177A2 | BRK BAND ASSY | 2 |
| 10 | F68656A4 | BRK ROD PIN WLDMT | 1 |
| 11 | F68891A9 | BRK ROD WLDMT-20.63 | 1 |
| 12 | Z10008A0 | BUSH-MACH 6H 3/4x18GAx1-1/4 OD | 2 |
| 13 | Z10010A6 | BUSH-MACH 3/4x10GAx1-1/4 OD | 2 |
| 14 | Z10011A5 | BUSH-MACH 1x18GAx1-1/2 OD | 2 |
| 15 | Z10012A4 | BUSH-MACH 1x14GAx1-1/2 OD | 2 |
| 16 | Z10013A3 | BUSH-MACH 1x10GAx1-1/2 OD | 2 |
| 17 | Z10030A2 | NUT-HEX JAM 3/8-24 | 2 |
| 18 | Z10036A6 | NUT-HEX KEPS 5/16-18 | 4 |
| 19 | Z10041A9 | NUT-HEX MACH #10-32 | 1 |
| 20 | Z10069A6 | PIN-SPG 3/16X5/8 | 1 |
| 21 | Z10112A3 | S-HHC 1/4-20X1 | 2 |
| 22 | Z10122A1 | S-HHC 5/16-18X3/4 | 2 |
| 23 | Z10125A8 | S-HHC 5/16-18X1-1/2 | 2 |
| 24 | Z10200A6 | WASHER-1/4 FLAT USS | 2 |
| 25 | Z10209A7 | WASHER-3/8 LOCK INT TOOTH | 2 |
| 26 | Z10223A9 | RING-RTNG 1 | 2 |
| 27 | Z10231A9 | RING-RTNG 1/4 | 4 |
| 28 | Z10234A6 | PIN-SPG 5/16X1-1/4 | 2 |
| 29 | Z10236A4 | RING-RTNG 3/4 5304 | 2 |
| 30 | Z10491A6 | BUSH-MACH 3/4x18GAx1-1/2 OD | 4 |
| 31 | Z10602A2 | WASHER-1/4 FLAT SAE | 1 |
| 32 | Z10805A2 | BOLT-STRIPPER 1/4X1/2 | 1 |
| 33 | Z30012A2 | ECC-BRK SHORT | 2 |
| 34 | Z30135A4 | WHL-6 x 2 U/P 3/4 | 2 |
| 35 | Z50007A7 | GRIP-HDL 1-1/8" BLK | 2 |
| 36 | F60262A2 | F W/675SA | 1 |
| 37 | Z10043A7 | NUT-NYL NE 1/4-20 | 2 |

PROPRIETARY AND CONFIDENTIAL
 THE INFORMATION CONTAINED IN THIS DRAWING IS THE SOLE PROPERTY OF VALLEY CRAFT. ANY REPRODUCTION IN PART OR AS A WHOLE WITHOUT THE WRITTEN PERMISSION OF VALLEY CRAFT IS PROHIBITED.

UNLESS OTHERWISE SPECIFIED:
 DECIMALS
 2 PLACES ±0.01
 3 PLACES ±0.005
 ANGLE ±1°
 GRIND/SAND SHARP EDGES .015 MAX
 DOES NOT APPLY TO DRILLED HOLE DIA.

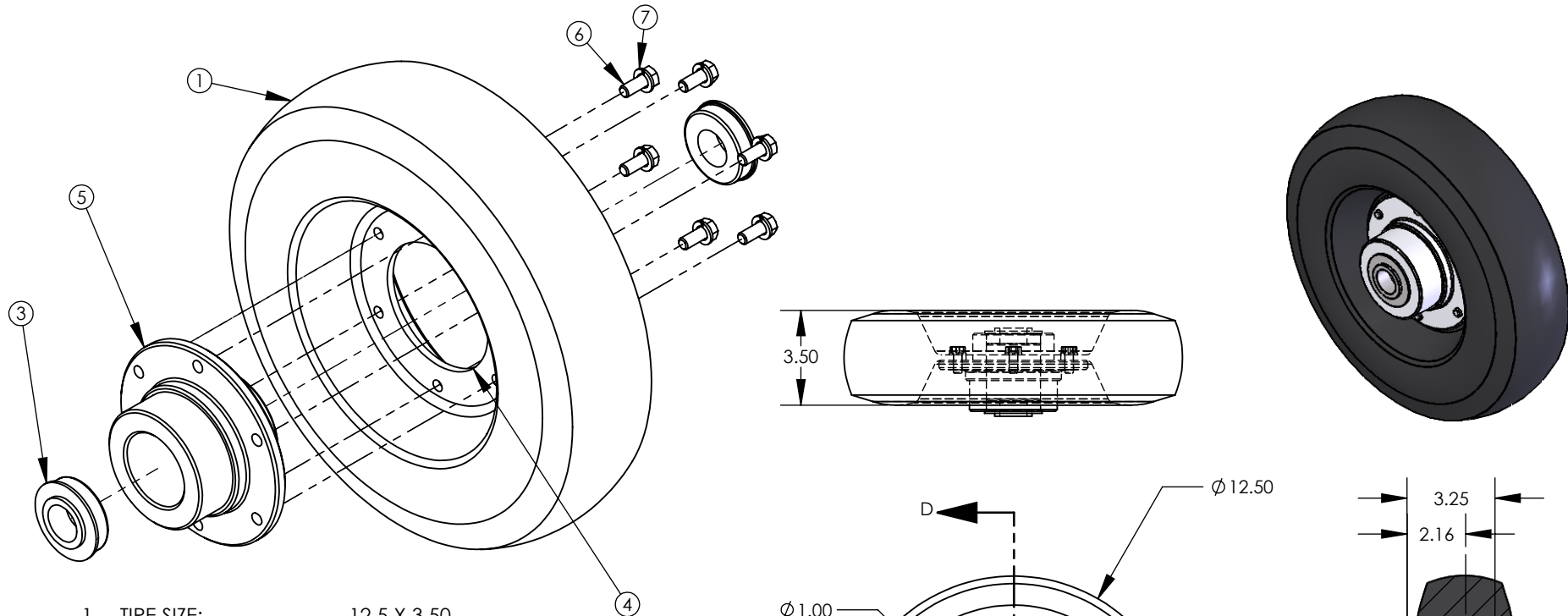
VALLEYCRAFT
 2001 South Hwy. 61, Lake City, MN 55041-9555, U.S.A.
 TITLE: TRK-DRUM/675SA STD CH

| | | | | |
|-----|---------|--------------------------|----|------------|
| B | E21-121 | BRAKE CABLE WAS F68681A9 | DN | 02/01/2022 |
| CHG | E.C.O. | DESCRIPTION / WAS | BY | DATE |

ALL ANGLE ARE 90° UNLESS SPECIFIED

| | | |
|-----------|------|------------|
| | NAME | DATE |
| DRAWN | DN | 04/05/2019 |
| CHECKED | | |
| ENG APPR. | | |

| | |
|--------------|---------------------------------------|
| SIZE | PART NO. F83160A7 |
| B | MATL: Material <not specified> |
| SCALE: 1:16 | WEIGHT: 84.94 |
| SHEET 2 OF 3 | |



- 1. TIRE SIZE: 12.5 X 3.50
- 2. TREAD PATTERN: SAWTOOTH
- 3. WHEEL MATERIAL: RUBBER
- 4. LOAD CAP./WHEEL: 1535#
- 5. WEIGHT/WHEEL: 8#
- 6. OVERALL HUB WIDTH: 3.25
- 7. OFFSET CENTER OF
- 8. WHEEL TO END OF HUB: 2.16
- 9. HUB MATERIAL: ALUMINUM
- 10. BEARING TYPE: BALL
- 11. BORE OR AXLE SIZE: 1.00
- 12. HUB COLOR: SILVER
- 13. GREASE ZERK: NO
- 14. VENDOR: FASTENAL COMPANY

| Item Number | Part Number | Description | Qty. |
|-------------|-----------------|--|------|
| 1 | Z30007A9 | TIRE-AIR 12 | 1 |
| 2 | Z30008A8 | TUBE-AIR 12 | 1 |
| 3 | Z30002A4 | BEARING-FLG 1/RPMT | 2 |
| 4 | Z30054A1/R70054 | RIM-FEMALE AIR 12B -- CS use R70054 as RPMTS | 1 |
| 5 | Z30055A0/R70055 | RIM-MALE AIR 12B -- CS use R70055 as RPMTS | 1 |
| 6 | Z10139A2 | S-HHC 3/8-24X5/8 | 6 |
| 7 | Z10214A0 | WASHER-3/8 LOCK MD | 6 |

PROPRIETARY AND CONFIDENTIAL
 THE INFORMATION CONTAINED IN THIS DRAWING IS THE SOLE PROPERTY OF VALLEY CRAFT. ANY REPRODUCTION IN PART OR AS A WHOLE WITHOUT THE WRITTEN PERMISSION OF VALLEY CRAFT IS PROHIBITED.

UNLESS OTHERWISE SPECIFIED:
 DECIMALS
 2 PLACES ±0.01
 3 PLACES ±0.005
 ANGLE ±1°
 GRIND/SAND SHARP EDGES .015 MAX
 DOES NOT APPLY TO DRILLED HOLE DIA.

VALLEYCRAFT
 2001 South Hwy. 61, Lake City, MN 55041-9555, U.S.A.

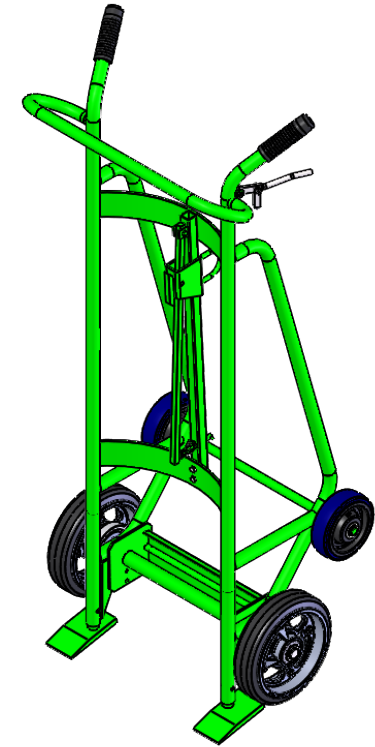
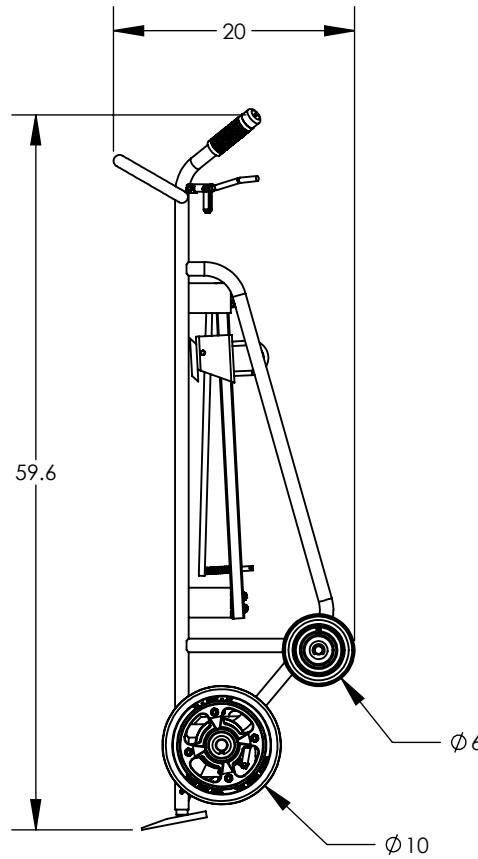
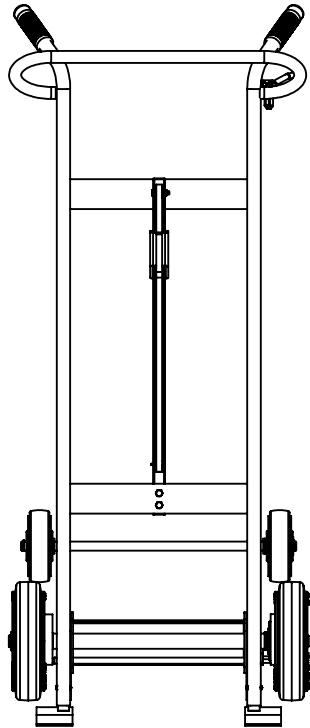
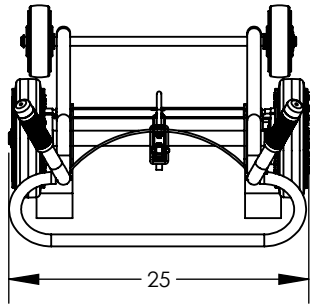
TITLE: WHL-12 AIR BRK

| | | | |
|------|--------|-------------------|------------|
| A | | | 10/31/2009 |
| CHG. | E.C.O. | DESCRIPTION / WAS | BY DATE |

ALL ANGLES ARE 90° UNLESS SPECIFIED

| | | |
|-----------|------|------|
| | NAME | DATE |
| DRAWN | | |
| CHECKED | | |
| ENG APPR. | | |

| | | | |
|------------|----------|-----------------|----------|
| SIZE | A | PART NO. | F60032A1 |
| | | MATL: | |
| SCALE: 1:6 | WEIGHT: | SHEET 3 OF 3 | |



FRAME MATERIAL: STEEL
 WHEELS: SOLID RUBBER
 BRAKE: YES
 LOAD CAPACITY: 1,000 LBS.
 WEIGHT: 80 LBS.
 WIDTH: 25"
 DEPTH: 20"
 HEIGHT: 59.6"
 LOCKING CHIME HOOK "L" AS SUFFIX
 FIBER CHIME HOOK "F" AS SUFFIX
 CABLE CHIME HOOK "C" AS SUFFIX
 PLASTIC CHIME HOOK "P" AS SUFFIX

PROPRIETARY AND CONFIDENTIAL

THE INFORMATION CONTAINED IN THIS DRAWING IS THE SOLE PROPERTY OF VALLEY CRAFT. ANY REPRODUCTION IN PART OR AS A WHOLE WITHOUT THE WRITTEN PERMISSION OF VALLEY CRAFT IS PROHIBITED.

UNLESS OTHERWISE SPECIFIED:

DECIMALS
 2 PLACES ±0.01
 3 PLACES ±0.005
 ANGLE ±1°

GRIND/SAND SHARP EDGES .015 MAX DOES NOT APPLY TO DRILLED HOLE DIA.



TITLE: TRK-DRUM/675SS STD CH

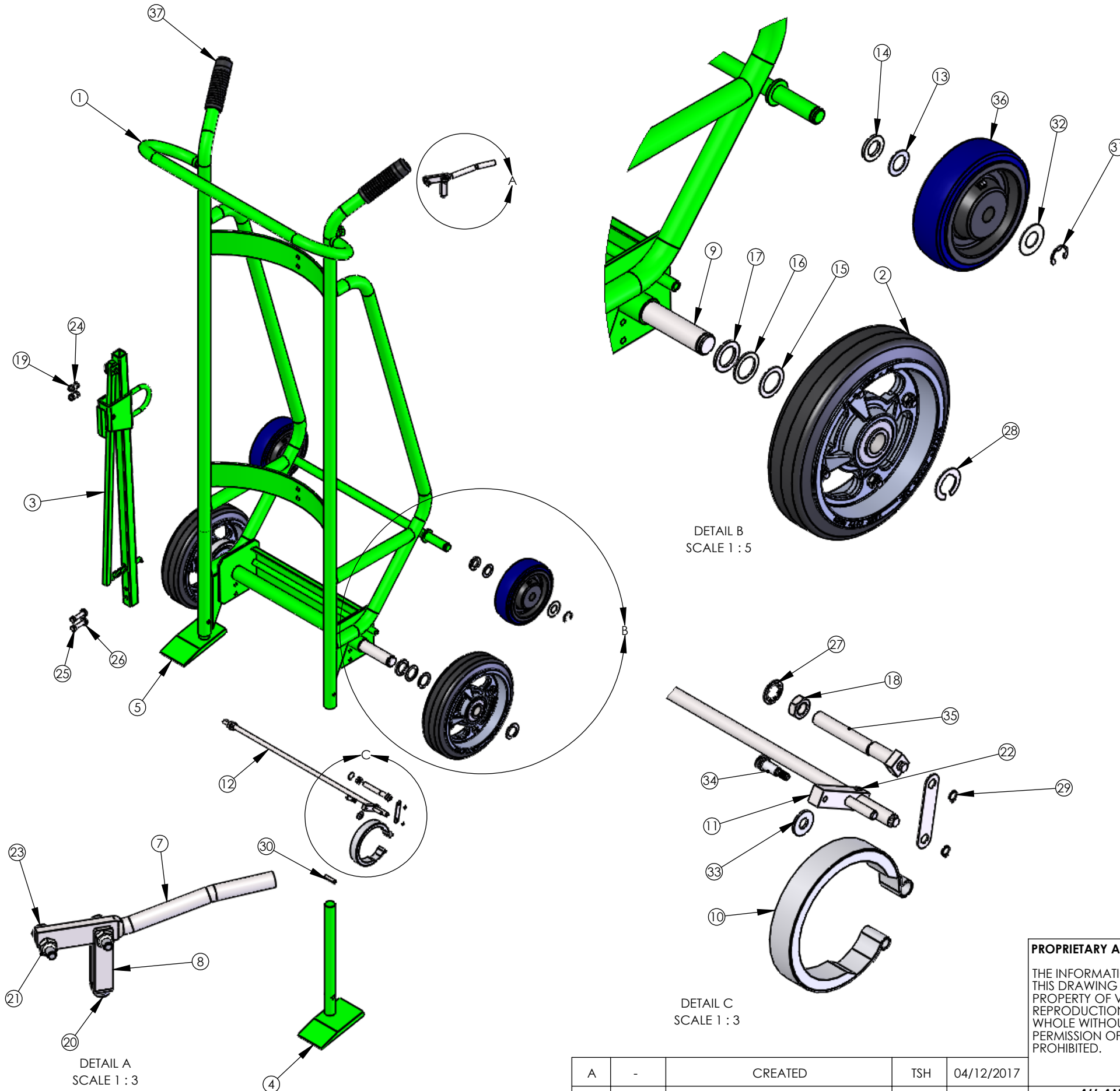
| | | | | |
|------|--------|-------------------|-----|------------|
| A | - | CREATED | TSH | 04/12/2017 |
| CHG. | E.C.O. | DESCRIPTION / WAS | BY | DATE |

ALL ANGLES ARE 90° UNLESS SPECIFIED

| | NAME | DATE |
|-----------|------|------------|
| DRAWN | TSH | 04/10/2017 |
| CHECKED | | |
| ENG APPR. | | |

| | |
|-------------|---------------------------------------|
| SIZE | PART NO. |
| A | F83450A6 |
| | MATL: Material <not specified> |
| SCALE: 1:24 | WEIGHT: 72.20 SHEET 1 OF 3 |

Not Modeled F68681A9: BRAKE CABLE ASSEMBLY - 48.25" Qty. 1



| ITEM NO. | PART NUMBER | DESCRIPTION | QTY. |
|----------|-----------------|--|------|
| 1 | F60051A7 | F W/675SS | 1 |
| 2 | F60004A5 | WHL-10 D/M | 2 |
| 3 | F60039B2/R60039 | CHIME HOOK ASSY - STEEL --CS, use R60039 for RPMTS | 1 |
| 3 | F60946A6 | CH ASSY-S/ CABLE | 1 |
| 3 | F60949A3 | CH ASSY-S/ FIBER | 1 |
| 3 | F60947A5 | CH ASSY-S/ LOCKING | 1 |
| 3 | F60945A7 | CH ASSY-S/ PLASTIC | 1 |
| 4 | F60045A6/R70045 | SHOE WLDMT-LH S/600 -- CS, use R70045 for RPMTS | 1 |
| 5 | F60044A7/R70044 | SHOE WLDMT-RH S/600 -- CS, use R70044 for RPMTS | 1 |
| 6 | F30012A8 | LINK-CONN/825 | 2 |
| 7 | F30013A7 | HDL-BRK/825 | 1 |
| 8 | F30014A6 | CLEVIS-BRK CABLE | 1 |
| 9 | F30027A1 | AXLE-FRT/650S | 1 |
| 10 | F62177A2 | BRK BAND ASSY | 2 |
| 11 | F68656A4 | BRK ROD PIN WLDMT | 1 |
| 12 | F68891A9 | BRK ROD WLDMT-20.63 | 1 |
| 13 | Z10008A0 | BUSH-MACH 6H 3/4x18GAx1-1/4 OD | 2 |
| 14 | Z10010A6 | BUSH-MACH 3/4x10GAx1-1/4 OD | 2 |
| 15 | Z10011A5 | BUSH-MACH 1x18GAx1-1/2 OD | 2 |
| 16 | Z10012A4 | BUSH-MACH 1x14GAx1-1/2 OD | 2 |
| 17 | Z10013A3 | BUSH-MACH 1x10GAx1-1/2 OD | 2 |
| 18 | Z10030A2 | NUT-HEX JAM 3/8-24 | 2 |
| 19 | Z10036A6 | NUT-HEX KEPS 5/16-18 | 4 |
| 20 | Z10041A9 | NUT-HEX MACH #10-32 | 1 |
| 21 | Z10043A7 | NUT-NYL NE 1/4-20 | 2 |
| 22 | Z10069A6 | PIN-SPG 3/16X5/8 | 1 |
| 23 | Z10112A3 | S-HHC 1/4-20X1 | 2 |
| 24 | Z10122A1 | S-HHC 5/16-18X3/4 | 2 |
| 25 | Z10125A8 | S-HHC 5/16-18X1-1/2 | 2 |
| 26 | Z10200A6 | WASHER-1/4 FLAT USS | 2 |
| 27 | Z10209A7 | WASHER-3/8 LOCK INT TOOTH | 2 |
| 28 | Z10223A9 | RING-RTNG 1 | 2 |
| 29 | Z10231A9 | RING-RTNG 1/4 | 4 |
| 30 | Z10234A6 | PIN-SPG 5/16X1-1/4 | 2 |
| 31 | Z10236A4 | RING-RTNG 3/4 5304 | 2 |
| 32 | Z10491A6 | BUSH-MACH 3/4x18GAx1-1/2 OD | 4 |
| 33 | Z10602A2 | WASHER-1/4 FLAT SAE | 1 |
| 34 | Z10805A2 | BOLT-STRIPPER 1/4X1/2 | 1 |
| 35 | Z30012A2 | ECC-BRK SHORT | 2 |
| 36 | Z30135A4 | WHL-6 x 2 U/P 3/4 | 2 |
| 37 | Z50007A7 | GRIP-HDL 1-1/8" BLK | 2 |

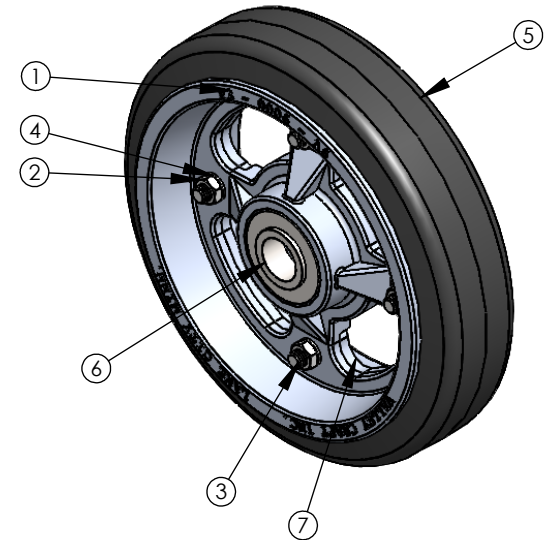
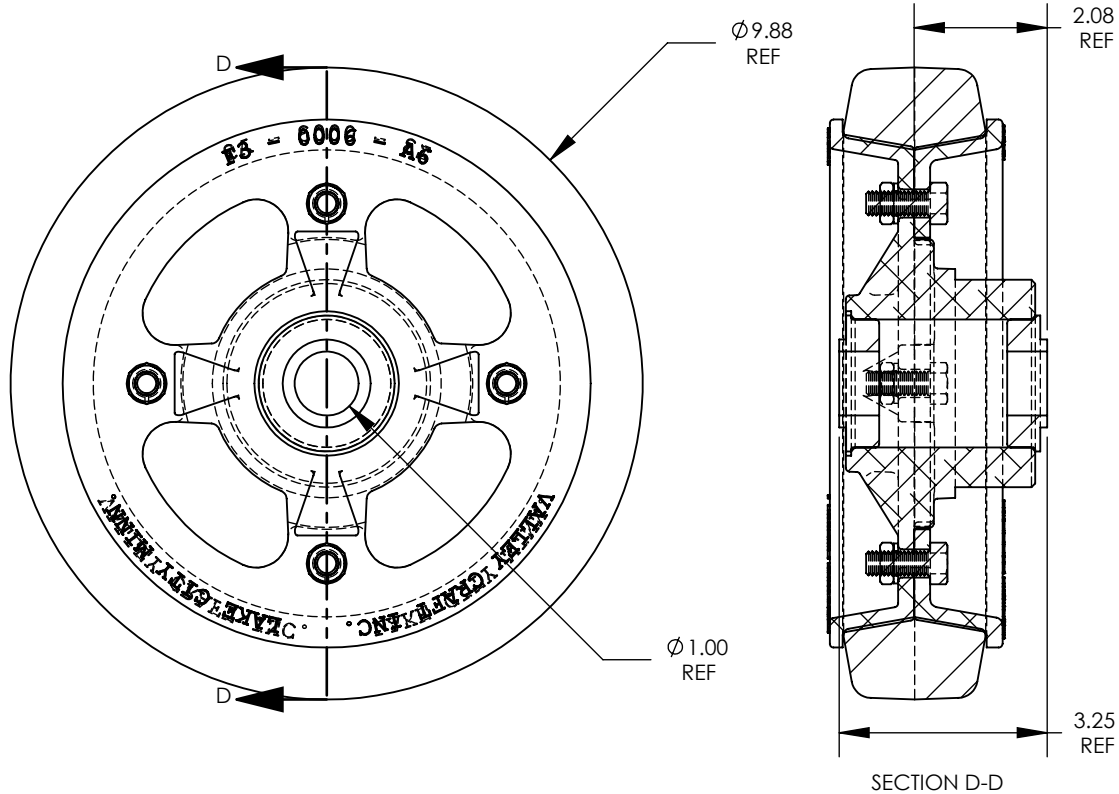
PROPRIETARY AND CONFIDENTIAL
 THE INFORMATION CONTAINED IN THIS DRAWING IS THE SOLE PROPERTY OF VALLEY CRAFT. ANY REPRODUCTION IN PART OR AS A WHOLE WITHOUT THE WRITTEN PERMISSION OF VALLEY CRAFT IS PROHIBITED.

UNLESS OTHERWISE SPECIFIED:
 DECIMALS
 2 PLACES ±0.01
 3 PLACES ±0.005
 ANGLE ±1°
 GRIND/SAND SHARP EDGES .015 MAX
 DOES NOT APPLY TO DRILLED HOLE DIA.

VALLEYCRAFT
 2001 South Hwy. 61, Lake City, MN 55041-9555, U.S.A.
 TITLE: TRK-DRUM/675SS STD CH
 SIZE: **PART NO.** F83450A6
MATL: Material <not specified>
 SCALE: 1:16 WEIGHT: 72.20 SHEET 2 OF 3

| | | | | |
|-----|--------|-------------------|-----|------------|
| A | - | CREATED | TSH | 04/12/2017 |
| CHG | E.C.O. | DESCRIPTION / WAS | BY | DATE |

ALL ANGLE ARE 90° UNLESS SPECIFIED



NOTES:

- △ A : 10 X 2-1/2 TIRE SIZE
- △ B : SMOOTH TREAD PATTERN
- △ C : SOFT RUBBER WHEEL MATERIAL
- △ D : 600# LOAD CAPACITY
- △ E : 8.5# WEIGHT/WHEEL
- △ F : ALUMINUM HUB MATERIAL
- △ G : BALL BEARING TYPE
- △ H : SILVER HUB COLOR

| ITEM NO. | PART NUMBER | DESCRIPTION | QT. Y. |
|----------|-------------|-------------------------------|--------|
| 1 | F30006A6 | HUB-D/M 10X2.5 | 1 |
| 2 | Z10026A8 | NUT-HEX JAM 3/8-16ZP | 4 |
| 3 | Z10132A9 | S-HHC 3/8-16X1 | 4 |
| 4 | Z10214A0 | WASHER-3/8 LOCK MD | 4 |
| 5 | Z30001A5 | TIRE-HARD BASE D/M 10 X 2-1/2 | 1 |
| 6 | Z30002A4 | BRG-FLG 1/RPMT | 2 |
| 7 | Z30003A3 | FLG-D/M 10X.5HD-10F | 1 |

PROPRIETARY AND CONFIDENTIAL

THE INFORMATION CONTAINED IN THIS DRAWING IS THE SOLE PROPERTY OF VALLEY CRAFT. ANY REPRODUCTION IN PART OR AS A WHOLE WITHOUT THE WRITTEN PERMISSION OF VALLEY CRAFT IS PROHIBITED.

UNLESS OTHERWISE SPECIFIED:

DECIMALS
2 PLACES ±0.01
3 PLACES ±0.005
ANGLE ±1°

GRIND/SAND SHARP EDGES .015 MAX DOES NOT APPLY TO DRILLED HOLE DIA.



TITLE: WHL-10 D/M

| | | | | | |
|-----------|----|-------------|---|-----------------|----------|
| DRAWN | JS | SIZE | A | PART NO. | F60004A5 |
| CHECKED | | NAME | | MATL: | |
| ENG APPR. | | DATE | | SCALE: 1:3 | WEIGHT: |
| | | | | SHEET 3 OF 3 | |

| | | | | |
|------|--------|-------------------|----|------------|
| A | - | DRAWN | JS | 01/29/2009 |
| CHG. | E.C.O. | DESCRIPTION / WAS | BY | DATE |

ALL ANGLES ARE 90° UNLESS SPECIFIED