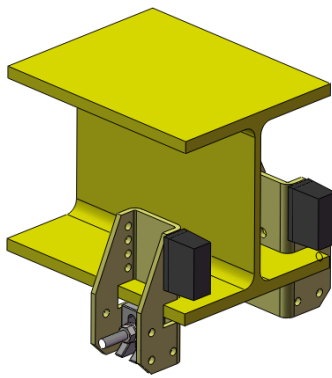
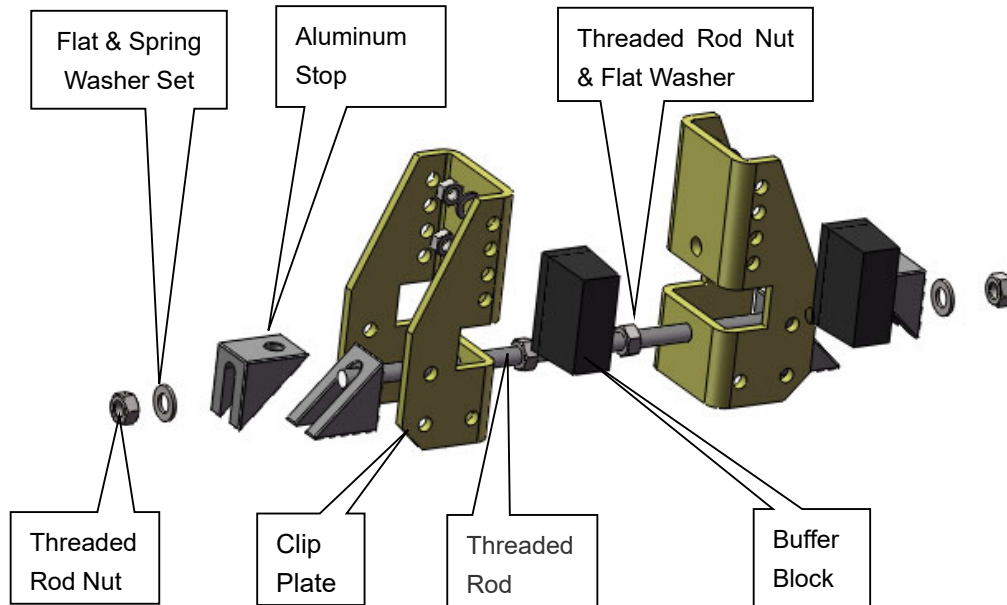
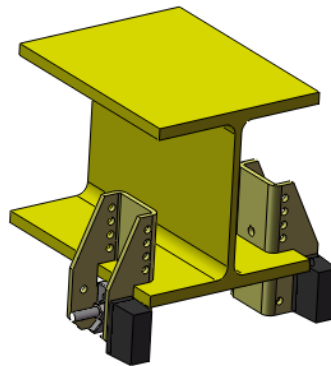


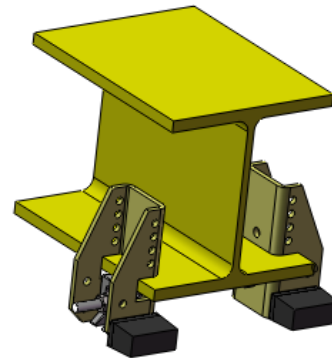
Travel End stop installation instructions



Buffer Block A
 (2 Different heights)



Buffer Block B



Buffer Block C

Each set of end stops includes the following components:

Clip plate x4, Threaded Rod x2, Buffer block x4, Aluminum stop x8, Nut x8, Flat Washer x8, Spring washer x4, Wrench x1.

Installation steps:

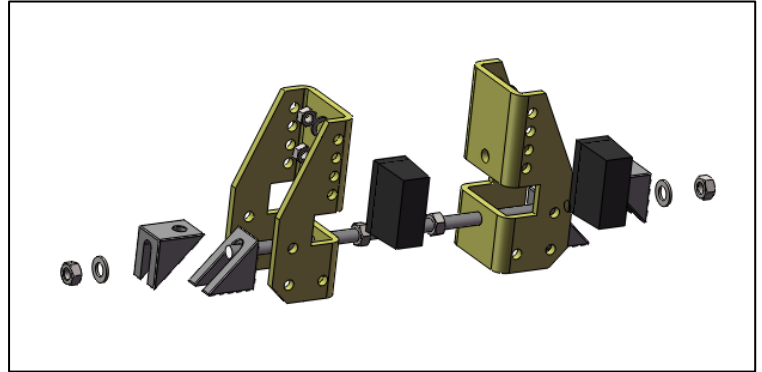
1. Install two nuts and two flat washers in the middle of the threaded rod.
2. Hold the two clip plate's on the track beam and simultaneously install the threaded rod.
3. Install two aluminum stop's on each end of the threaded rod in accordance with the direction shown.
4. Lock the aluminum stop's with Threaded Rod Nut & Flat & Spring Washer Sets
5. Adjust and lock the two nuts in the middle of the threaded rod to the inside of the two clip plate's.
6. Based on individual requirement's , install the buffer block on the clip plate and secure it with the nut in any of the 4 positions shown above.



TROLLEY BEAM END STOP

Key Specifications:

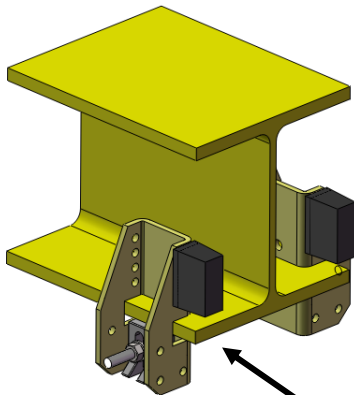
- BEAM WIDTH: 3.22" TO 11.81"
- MAX BEAM THICKNESS: 0.78"



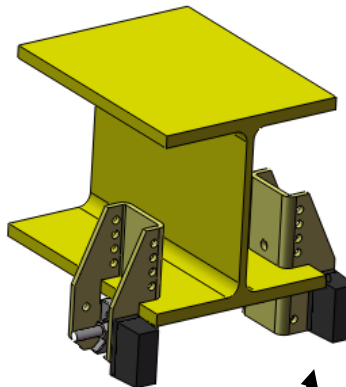
Clamps directly onto a beam's flange. Fully Adjustable.

The Bison End Stops are a great solution to simply clamp on stops for your monorail or bridge to prevent a hoist or trolley from traveling further than the clamping point. Fits W-Beams. Includes full assembly (nuts, bolts, buffer blocks, threaded rods, and brackets). The adjustable buffer blocks allow for compatibility of a wide range of hoist and trolley brands. The adjustable flange width accommodates for a variety of beam profiles.

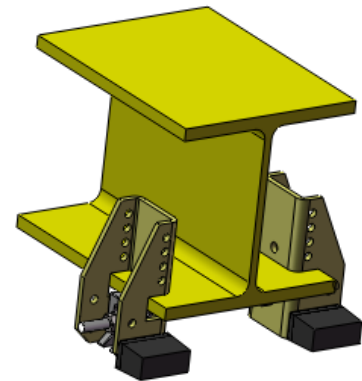
Config. 1
(2 Different Heights)



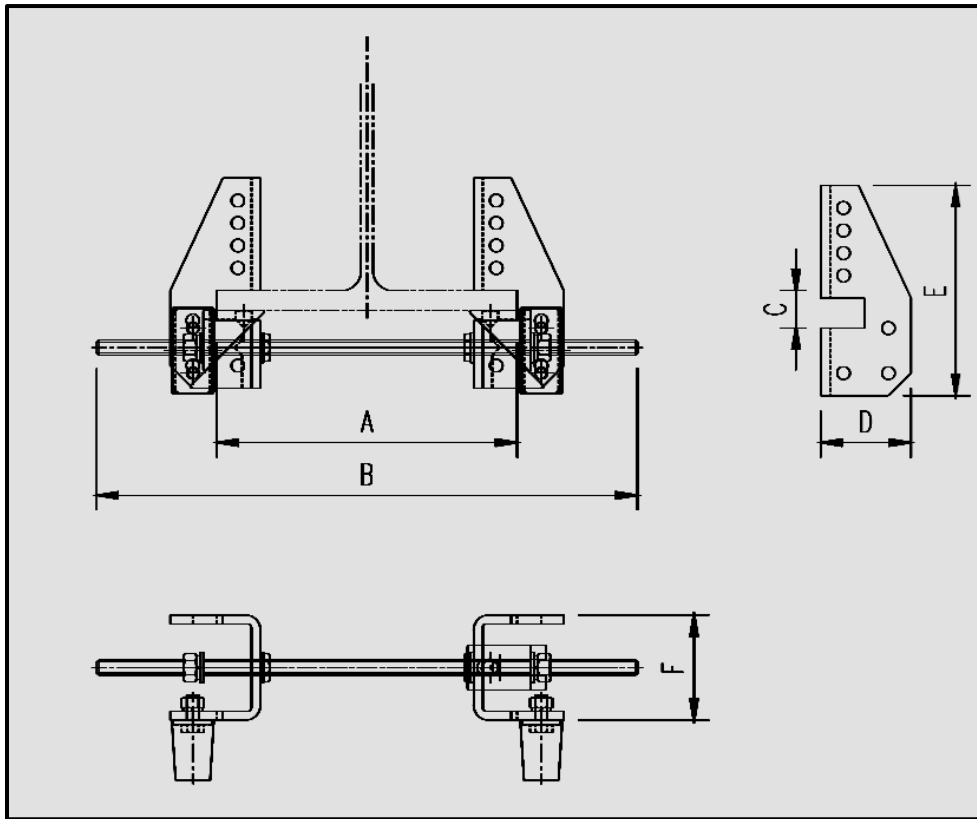
Config. 2



Config. 3



Adjustable Buffer Block



DIMENSIONS

A	B	C	D	E	F	Weight
3.22" – 11.81"	14.25"	0.87"	2.36"	5.5"	2.75"	11 lbs.

- Galvanized Steel
- Impact Force 20,000 lbs. @ 33ft/min.
- Impact Force 4,000 lbs. @ 92 ft/min.

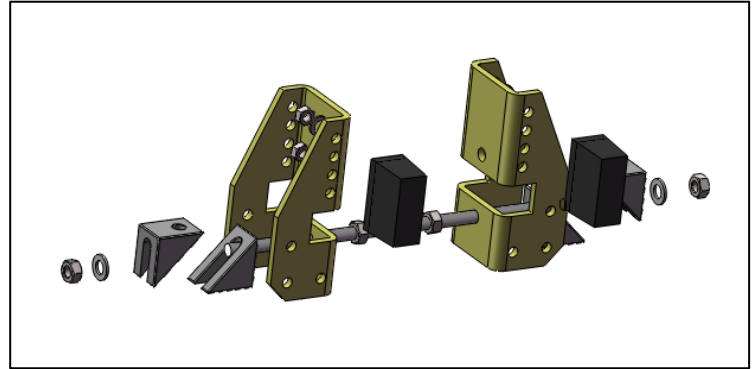
END STOPS ARE SOLD IN PAIRS



TROLLEY BEAM END STOP

Key Specifications:

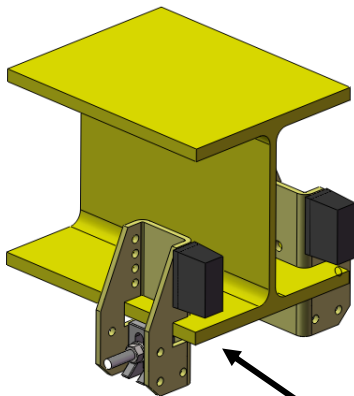
- BEAM WIDTH: 3.22" TO 21.65"
- MAX BEAM THICKNESS: 0.78"



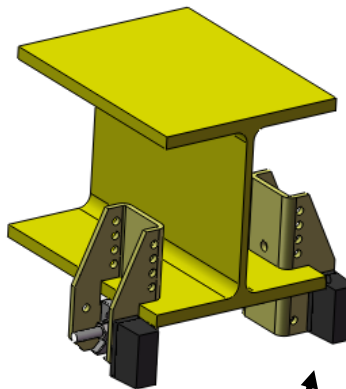
Clamps directly onto a beam's flange. Fully Adjustable.

The Bison End Stops are a great solution to simply clamp on stops for your monorail or bridge to prevent a hoist or trolley from traveling further than the clamping point. Fits W-Beams. Includes full assembly (nuts, bolts, buffer blocks, threaded rods, and brackets). The adjustable buffer blocks allow for compatibility of a wide range of hoist and trolley brands. The adjustable flange width accommodates for a variety of beam profiles.

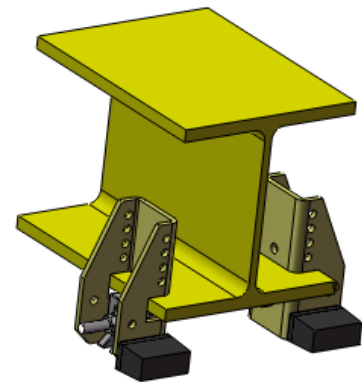
Config. 1
(2 Different Heights)



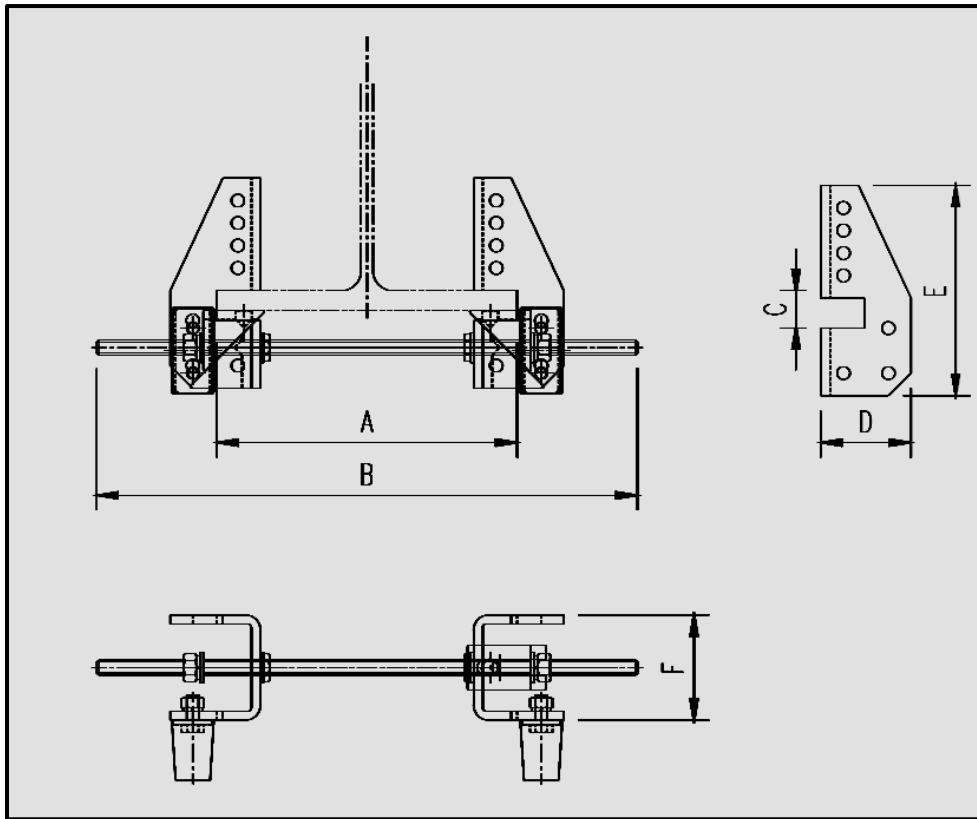
Config. 2



Config. 3



Adjustable Buffer Block



DIMENSIONS

A	B	C	D	E	F	Weight
3.22" to 21.65"	24.8"	0.87"	2.36"	5.5"	2.75"	12 lbs.

- Galvanized Steel
- Impact Force 20,000 lbs. @ 33ft/min.
- Impact Force 4,000 lbs. @ 92 ft/min.

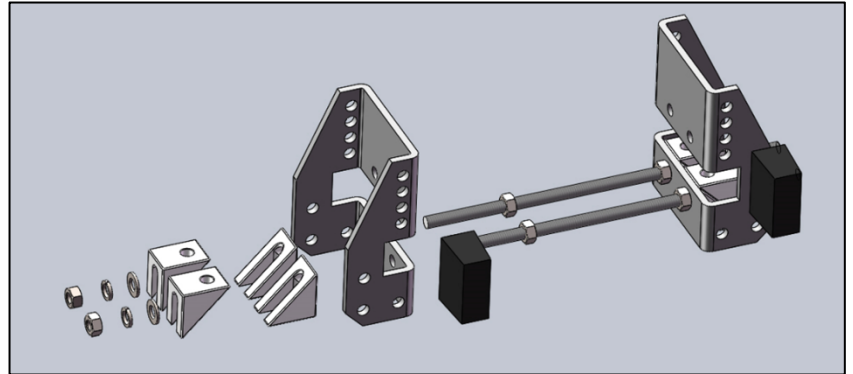
END STOPS ARE SOLD IN PAIRS



TROLLEY BEAM END STOP

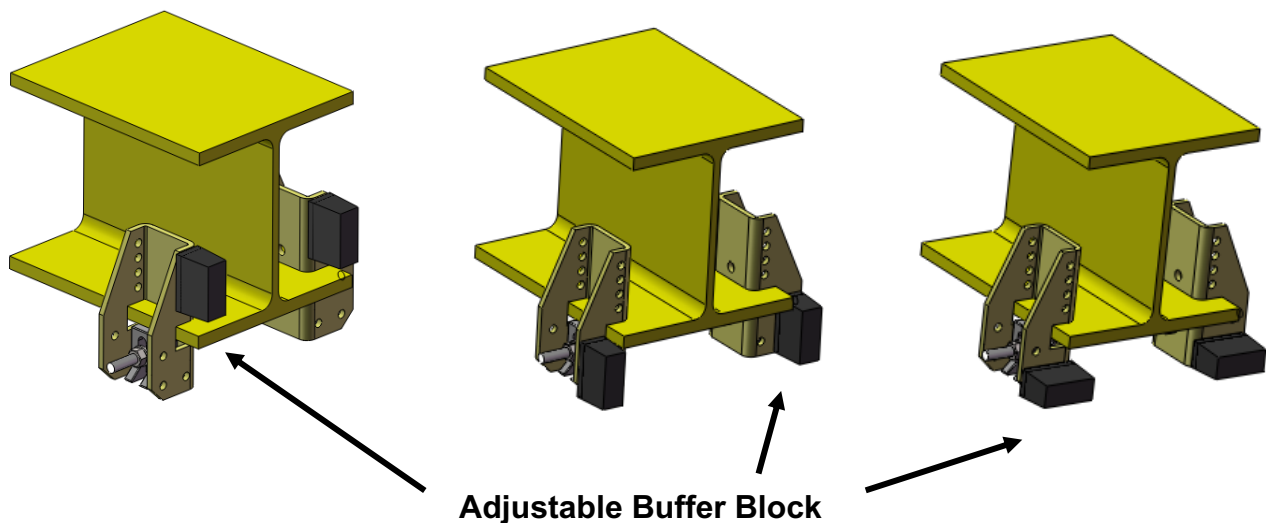
Key Specifications:

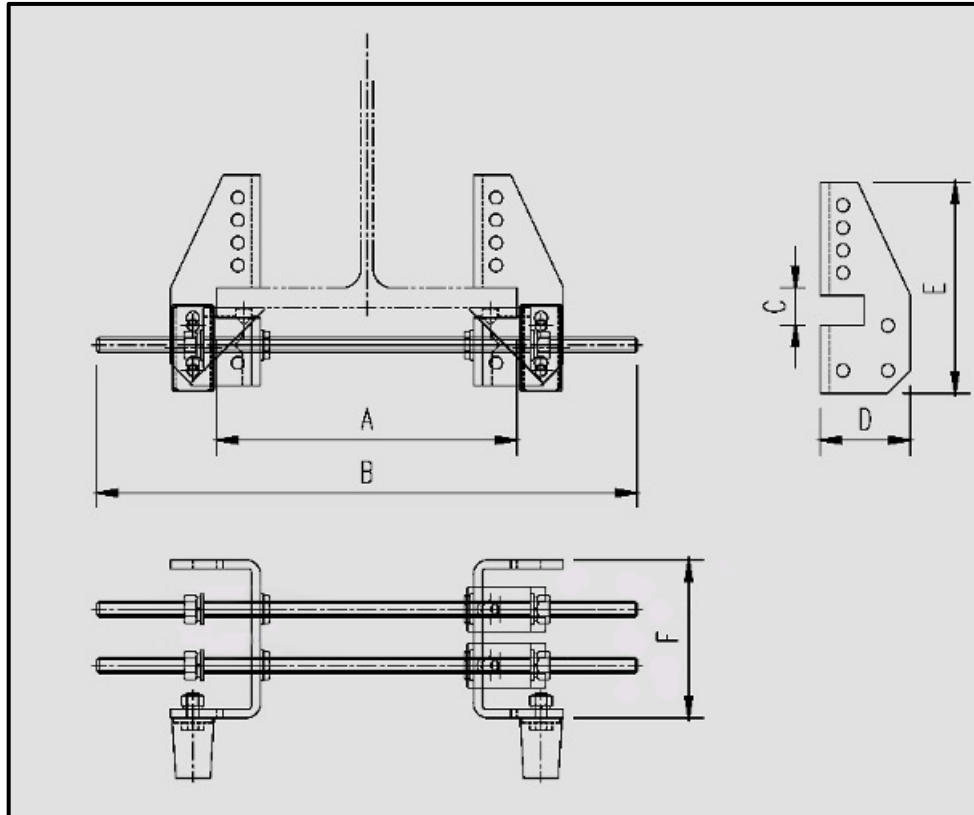
- BEAM WIDTH: 4.25" TO 21.65"
- MAX BEAM THICKNESS: 1.18"



Clamps directly onto a beam's flange. Fully Adjustable.

The Bison End Stops are a great solution to simply clamp on stops for your monorail or bridge to prevent a hoist or trolley from traveling further than the clamping point. Fits W-Beams. Includes full assembly (nuts, bolts, buffer blocks, threaded rods, and brackets). The adjustable buffer blocks allow for compatibility of a wide range of hoist and trolley brands. The adjustable flange width accommodates for a variety of beam profiles.





DIMENSIONS

A	B	C	D	E	F
4.25" – 21.65"	25"	1.18"	2.36"	5.9"	4.3"

- Galvanized Steel
- Impact Force 20,000 lbs. @ 33ft/min.
- Impact Force 4,000 lbs. @ 92 ft/min.

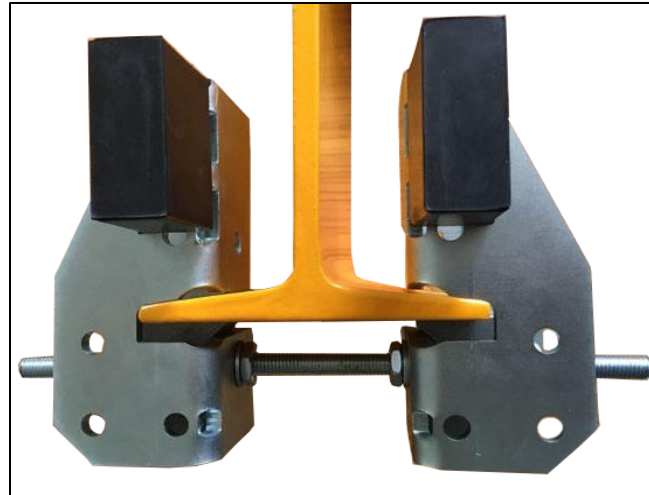
COMES WITH 2 SETS OF THE ABOVE TESH30-63 IN A BOX



TROLLEY BEAM END STOP

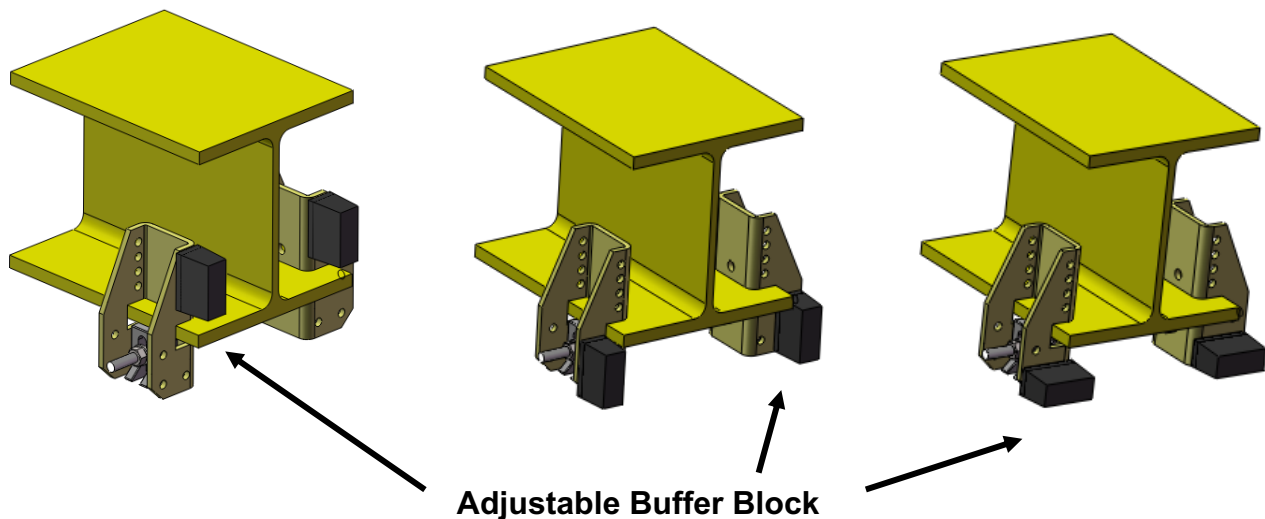
Key Specifications:

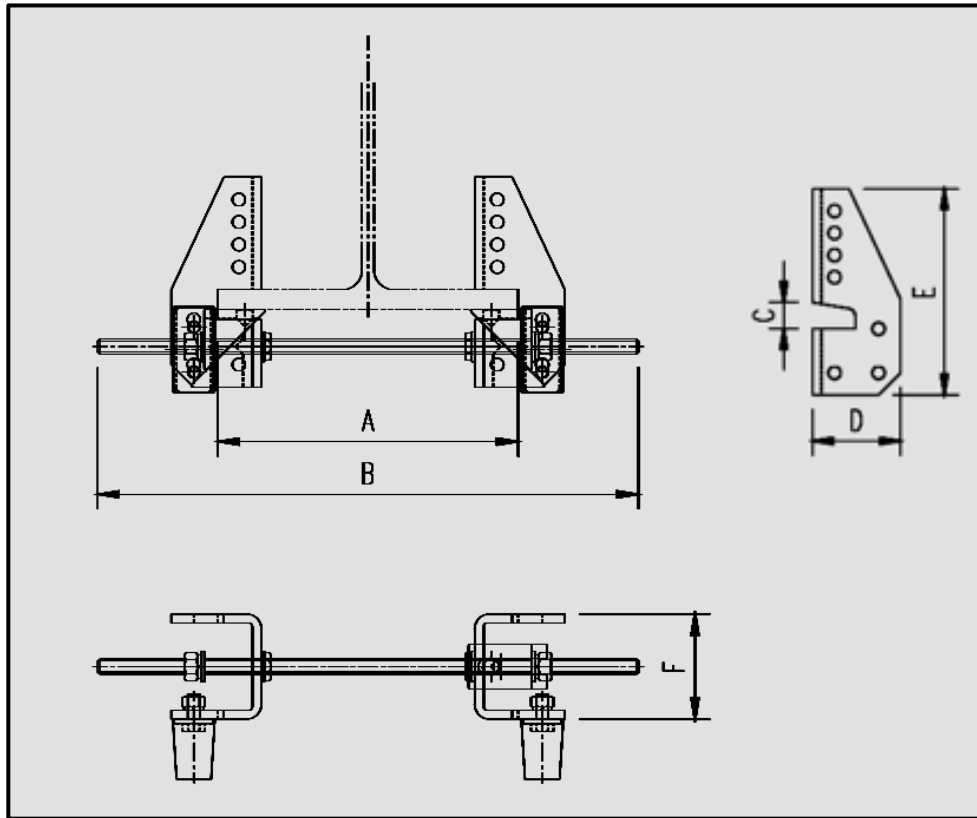
- BEAM WIDTH: 3.2" TO 6.3"
- MAX BEAM THICKNESS: 0.7"



Clamps directly onto a beam's flange. Fully Adjustable.

The Bison End Stops are a great solution to simply clamp on stops for your monorail or bridge to prevent a hoist or trolley from traveling further than the clamping point. Fits S-Beams. Includes full assembly (nuts, bolts, buffer blocks, threaded rods, and brackets). The adjustable buffer blocks allow for compatibility of a wide range of hoist and trolley brands. The adjustable flange width accommodates for a variety of beam profiles.





DIMENSIONS

A	B	C	D	E	F
3.2" – 6.3"	9.8"	0.70"	2.36"	5.51"	2.75"

- Galvanized Steel
- Impact Force 20,000 lbs. @ 33ft/min.
- Impact Force 4,000 lbs. @ 92 ft/min.

COMES WITH 2 CLAMPS PER KIT